

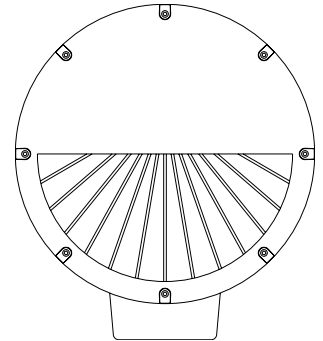
2930 South Fairview Street
 Santa Ana, CA 92704
 Phone: 714 668 3660
 Fax: 714 668 1107
 Email: sales@allscape.net

INSTALLATION SHEET

SP

Safety, Warnings and Suggestions

- ¹ **Avoid** installing fixtures in locations where water collects and stands for prolonged periods.
- ² **Make** sure that electrical power is disconnected before any work is performed.
- ³ **All** wiring and installation should meet local, state and national electrical codes.

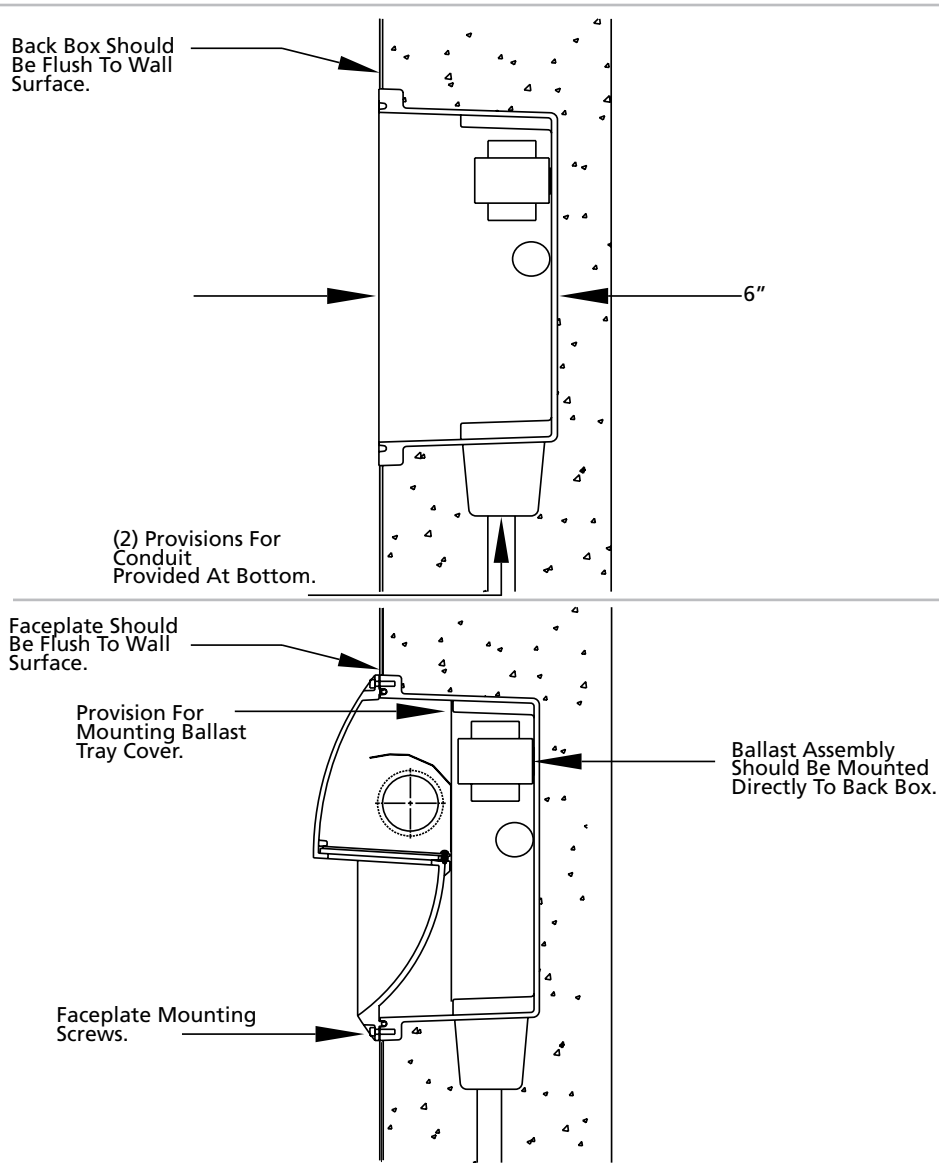


SP-28

P# 38608

© 2005 - 2008 ALLSCAPE. All rights reserved.
 ALLSCAPE is a registered trademark of Philips.

Due to a program of continuous improvement, ALLSCAPE reserves the right to make any variation in design or construction to the equipment described.



1. Remove faceplate and internal reflector. Ballast assembly must be left attached to back box. Make sure all hardware is carefully saved until needed.
2. Connect conduit to the provisions on the bottom of the back box. See illustration for details.
3. Once the conduit has been connected, Secure back box to wall opening or any mounting provisions being used to hold box in place. Make sure that back box is flush to wall or to any other mounting provisions being used. See installation sheet for details.
4. After all preparations to wall have been finished, carefully clean out any dirt left inside of back box.
5. Carefully make all necessary connection using UL listed connectors.
6. Install and secure reflector assembly to back box with hardware provided. Make sure to install proper lamp source as designated on lamp label.
7. Install face plate onto back box by using screws provided. Safely tighten all screws on faceplate to ensure a good seal all around gasket area. Once face plate has been tightened, make sure it is flush to the mounting surface. See illustration for details.