

- Corridors**
- Walkways**
- Accent and**
- General Lighting**

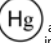


Specifications



- Certifications** The fixture shall be UL listed to U.S. and Canadian safety standards for wet locations and concrete pour. The fixture shall meet ADA requirements.
- Housing** The housing is die-cast, copper free aluminum for corrosion resistance in concrete applications. Includes one 1/2" NPT conduit tap on the back and two 3/4" NPT taps on the bottom and one 3/4" NPT on each side for through wiring capability. Provision for thermal protection is supplied.
- Ballast** HID ballasts are HPF core and coil. Fluorescent ballasts 26/32/42 watt CF are electronic, universal voltage 120-277V, 50 or 60 Hz. All ballasts are factory wired and tested, mounted to a removable tray with quick disconnects, HPF.
- Lens / Optics** The lens shall be frosted tempered glass with silicone gasketing. The reflector is constructed of specular aluminum segmented assembly.
- Trim Ring / Face Plate** The trim ring is die-cast copper free aluminum. The face plate is semi-recessed water tight die-cast aluminum with hinges for easy relamping. Attaches with captive, black oxide stainless steel, tamper resistant screws.
- Finish** BK-BZ-WH-GR-GY-NA is thermoset polyester powdercoat which is electrostatically applied and bonded by heat fusion thermosetting. CC available upon request. **Back box trim must be painted to match the face plate.** CC may delay pre-shipment.

| |
|---------------------|
| PROJECT |
| FIXTURE TYPE |
| CATALOG# |

 Some luminaires use fluorescent or high intensity discharge (HID) lamps that contain small amounts of mercury. Such lamps are labeled "Contains Mercury" and/or with the symbol "Hg." Lamps that contain mercury must be disposed of in accordance with local requirements. Information regarding lamp recycling and disposal can be found at www.lamprecycle.org

Product Order Guide

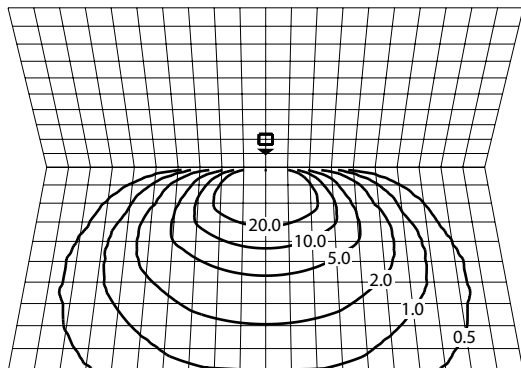
| Series | Max Watts | Lamp Type | Voltage ⁴ | Finish ⁴ | Options |
|--------|--------------------|-----------|-----------------------|---------------------|--------------------------------------|
| SP-220 | 70 MH | T6 | 120 | BK Black | P ¹ Thermal Protector |
| | 100 MH | E-17 | 208 | BZ Bronze | MM Masonry Mounting Kit |
| | 100 HPS | E-17 | 220/50Hz ³ | WH White | NS New Stud Wall Mounting Kit |
| | 42 CF ² | CF | 240 | GR Green | ES Existing Hollow Wall Mounting Kit |
| | | | 277 | GY Gray | QS Quartz Standby (HID only) |
| | | | 347 | NA Natural Alum. | F Fusing |
| | | | | CC Custom | FF Double Fusing |

- 1 Thermal protector is required for installations in drywall, plaster, wood or other non-masonry materials with the exception of fluorescent and LED lamping and must be ordered as an option.
- 2 Compact fluorescent lamp base options: 26W CF-GX24q-3, 32W CF-GX24q-3, 42W CF-GX24q-4.
- 3 Available in 50, 70, 100 HPS and 70, 100 MH only.
- 4 Consult factory for other colors and voltages.

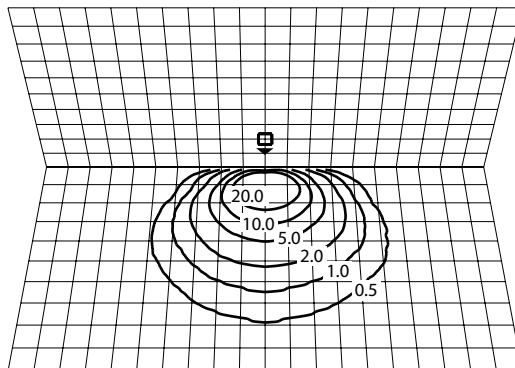
Example: SP-220-100MH-120-BK-P-NS

Photometric Data

SP-220-100MH
 9000 Initial Lumens
 2.0 ft. Mounting Height, 1.0 ft. grid
 Value in footcandles



SP-220-42CF
 2475 Initial Lumens
 2.0 ft. Mounting Height, 1.0 ft. grid
 Value in footcandles



Luminaire Dimensions

| Luminaire | A | | B | | C | | D | | Weight | |
|-----------|-------|-----|-------|-----|------|-----|------|----|--------|-----|
| | Inch | mm | Inch | mm | Inch | mm | Inch | mm | lbs. | kg |
| SP-220 | 12.00 | 305 | 12.00 | 305 | 5.40 | 137 | 0.60 | 15 | 10.0 | 4.5 |

