

**Corridors**  
**Walkways**  
**Accent and**  
**General Lighting**



### Specifications



- Certifications** The fixture shall be ETL and cETL listed to U.S. and Canadian safety standards for wet locations and concrete pour. The fixture shall meet ADA requirements.
- Housing** The housing is recessed, water-tight, die-cast, copper free aluminum for corrosion resistance in concrete applications. Includes two 1/2" NPT conduit taps in the bottom and one 1/2" NPT in each side for through wiring capability. Provision for thermal protection is supplied.
- Ballast** HID ballasts are HPF core and coil. Fluorescent ballasts 26/32/42 watt CF are electronic, universal voltage 120-277V, 50 or 60 Hz. All ballasts are factory wired and tested, mounted to a removable tray with quick disconnects, HPF.
- Lens / Optics** Precision formed, highly polished specular aluminum symmetric reflector standard. Symmetric reflector is precision formed specular aluminum.
- Trim Ring / Face Plate** The trim ring and face plate are copper free die-cast aluminum, the face plate louver provides 45° shielding, lens is flat frosted glass, sealed with a single piece molded silicone gasket ensuring a positive water tight seal.
- Finish** BK-BZ-WH-GR-GY-NA is thermoset polyester powdercoat which is electrostatically applied and bonded by heat fusion thermosetting. CC available upon request. **Back box trim must be painted to match the face plate.** CC may delay pre-shipment.

<b>PROJECT</b>
<b>FIXTURE TYPE</b>
<b>CATALOG#</b>

 Some luminaires use fluorescent or high intensity discharge (HID) lamps that contain small amounts of mercury. Such lamps are labeled "Contains Mercury" and/or with the symbol "Hg." Lamps that contain mercury must be disposed of in accordance with local requirements. Information regarding lamp recycling and disposal can be found at [www.lamprecycle.org](http://www.lamprecycle.org)

## Product Order Guide

Series	Max Watts	Lamp Type	Voltage <sup>3</sup>	Finish <sup>3</sup>	Options
SP-210	50 MH	E-17	120/277	BK Black	P1 Thermal Protector
	35 HPS 50 HPS	E-17	120/208/240/277	BZ Bronze	MM Masonry Mounting Kit
		E-17		WH White	NS New Stud Wall Mounting Kit
		E-17		GR Green	ES Existing Hollow Wall Mounting Kit
	26 CF <sup>2</sup>	CF	120/208/240/277	GY Gray	
	32 CF <sup>2</sup>	CF	120/208/240/277	NA Natural Alum.	
	42 CF <sup>2</sup>	CF	120/208/240/277	CC Custom	
50 LV <sup>2</sup>	T4	120/12			
60 INC	A19	120			

1 Thermal protector is required for installations in drywall, plaster, wood or other non-masonry materials with the exception of fluorescent and LED lamping and must be ordered as an option.

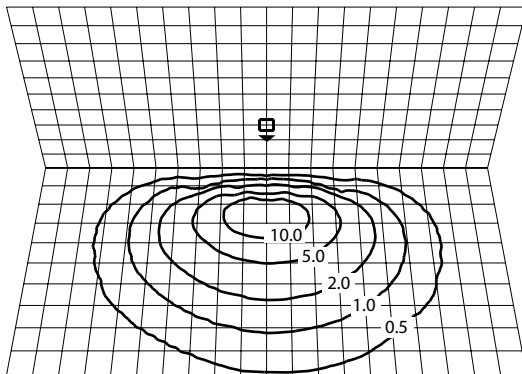
2 Compact fluorescent lamp base options: 26W CF-GX24q-3, 32W CF-GX24q-3, 42W CF-GX24q-4. T4 base is GY6.35.

3 Consult factory for other colors and voltages.

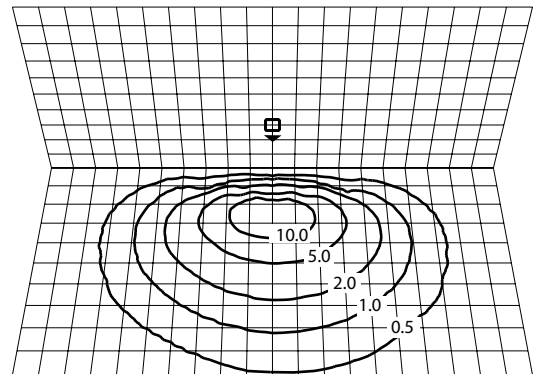
### Example: SP-210-42CF-120-BK-NS

## Photometric Data

SP-210-50MH Symmetric Reflector  
3400 Initial Lumens  
3.0 ft Mounting Height, 1.0 ft. grid  
Value in footcandles



SP-210-42CF  
2915 Initial Lumens  
3.0 ft Mounting Height, 1.0 ft. grid  
Value in footcandles



## Luminaire Dimensions

Luminaire	A		B		C		D		Weight	
	Inch	mm	Inch	mm	Inch	mm	Inch	mm	lbs.	kg
SP-210	9.68	246	7.87	200	5.82	148	1.10	28	7.0	3.1

