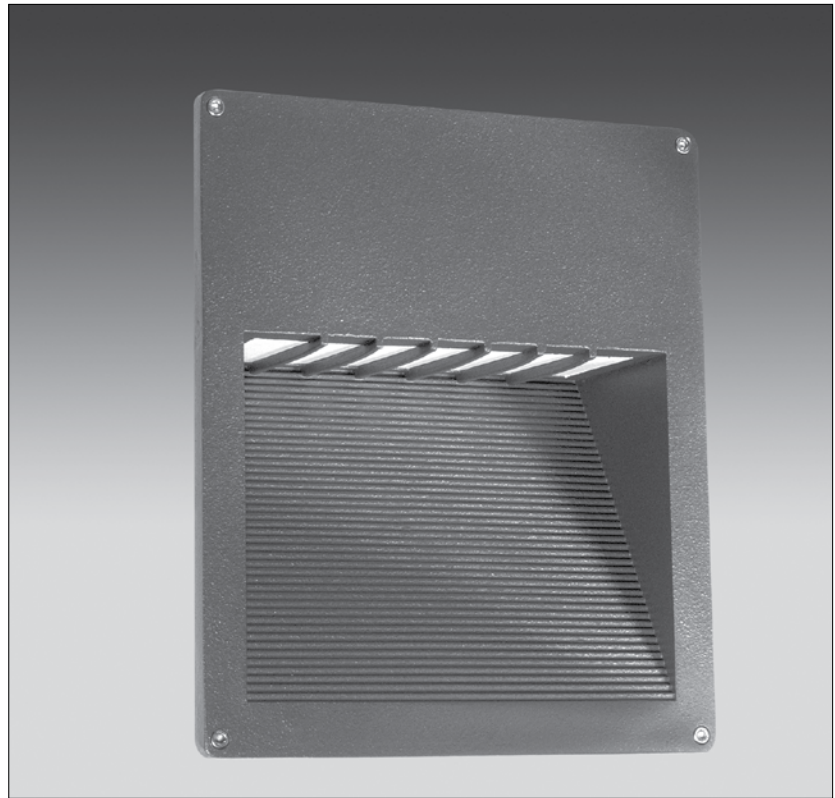


Corridor
Walkways
Accent
General Lighting

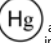


Specifications



- Certifications** The fixture shall be ETL and CETL listed for wet location and concrete pour. Also listed for through wiring. The fixture shall meet ADA requirements.
- Housing** Cast aluminum with a minimum wall thickness of 3/16" and two 3/4" NPT conduit entrances for through-wiring capability.
- Ballast** HID ballasts are HPF core and coil. Fluorescent ballasts 26/32/42 watt CF are electronic, universal voltage 120-277V, 50 or 60 Hz. All ballasts are factory wired and tested, mounted to a removable tray with quick disconnects, HPF.
- Lens/Optics** SP-10 uses tempered clear glass sealed to face plate with high temperature silicone and clips. The reflector is highly polished specular aluminum multifaceted for optimum efficiency.
- Trim Ring/Face Plate** Die-cast aluminum, recessed with louvers, fastened to lamp/ballast housing with four stainless steel screws.
- Finish** BK-BZ-WH is thermoset polyester powdercoat which is electrostatically applied and bonded by heat fusion thermosetting. CC available upon request.
- Note** The back box must be painted to match fixture, custom colors may delay pre-shipment of back box.

PROJECT
FIXTURE TYPE
CATALOG#

 Some luminaires use fluorescent or high intensity discharge (HID) lamps that contain small amounts of mercury. Such lamps are labeled "Contains Mercury" and/or with the symbol "Hg." Lamps that contain mercury must be disposed of in accordance with local requirements. Information regarding lamp recycling and disposal can be found at www.lamprecycle.org

Product Order Guide

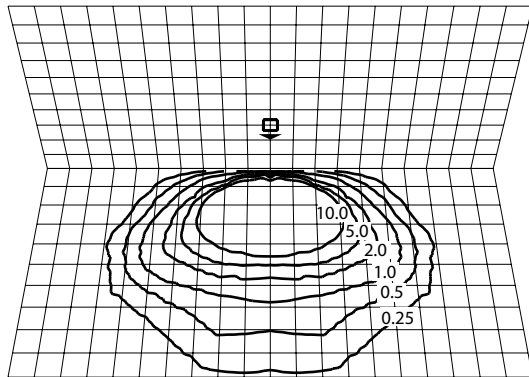
Series	Max Watts	Lamp Type	Voltage ¹	Finish ¹	Options
SP-10	150 MH	E17	120	BK Black	QS Quartz Standby
	150 HPS	E17	208	BZ Bronze	EMG Emergency Battery Backup
	42 CF	CF ²	240	WH White	
	18 LPS	T17	277	CC Custom	

- 1 Consult factory for other colors and voltages
- 2 Compact fluorescent lamp base options: 13W CF-GX23, 26W CF-GX24q-3, 42W CF-GX24q-4.

Example: SP-10-100HPS-E17-120-BK

Photometric Data

SP-10-150MH
 13000 Initial Lumens
 3.0 ft Mounting Height, 1 ft. grid
 Value in footcandles



Luminaire Dimensions

Luminaire	A		B		C		D		E		Weight	
	Inch	mm	Inch	mm	Inch	mm	Inch	mm	Inch	mm	lbs.	kg
SP-10	6.0	152	15.0	381	13.0	330	2.75	70	5.25	133	21	9.5

