

Phone: 714 668 3660  
 Fax: 714 668 1107  
 Email: sales@allscape.net  
 http://www.allighting.com

## INSTALLATION SHEET

SL

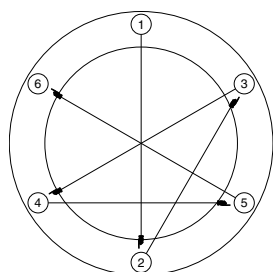
### Safety, Warnings and Suggestions

- <sup>1</sup> **Care** should be taken not to position fixtures in locations where bare skin can come into contact with the potentially high temperatures on the lens.
- <sup>2</sup> **Avoid** installing fixtures in locations where water collects and stands for prolonged periods.
- <sup>3</sup> **Make** sure that electrical power is disconnected before any work is performed.
- <sup>4</sup> **All** gaskets and sealing surfaces must be kept clean during installation.
- <sup>5</sup> **As** a rule of thumb, the higher the fixture is mounted above grade potential problems such as foliage over growth or water, mud etc. collecting on the lens are reduced.
- <sup>6</sup> **All** wiring and installation should meet local, state and national electrical codes.
- <sup>7</sup> **This** will help prevent wire connector corrosion due to water penetration from the conduit.
- <sup>8</sup> **Install** correct lamp type and wattage.
- <sup>9</sup> **If** condensation, built up during installation, is visible on the lens it is recommended that the fixture be turned on before the lens ring is fully secured for approximately 30 minutes. This should allow the condensation to be exhausted.

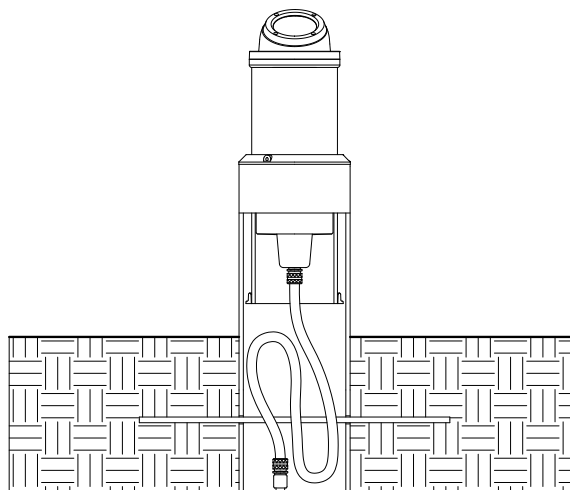
P#32A01812

© 2005 - 2009 ALLSCAPE. All rights reserved.  
 ALLSCAPE is a registered trademark of Philips.

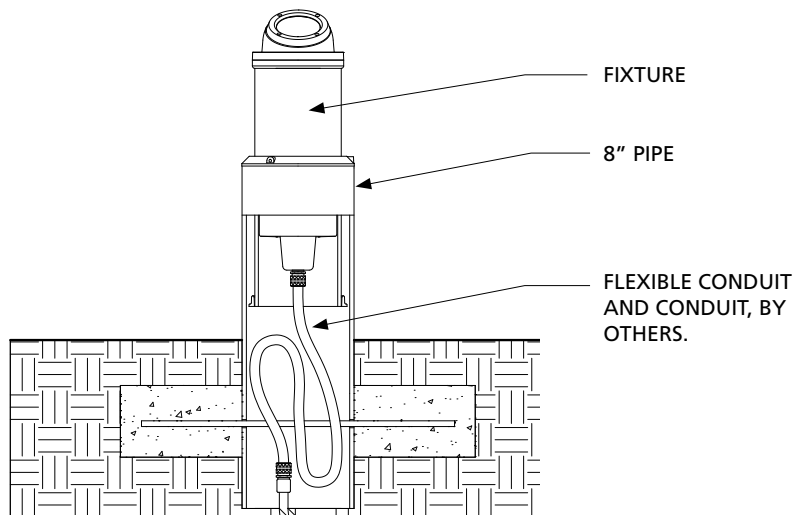
Due to a program of continuous improvement, ALLSCAPE reserves the right to make any variation in design or construction to the equipment described.



Use several rotations of the following sequence to tighten lens ring screws, to 25 in/lbs.



SL-26 PIPE IN SOIL



SL-26 PIPE IN SOIL with CONCRETE

1. Prepare the site with adequate excavation to install the fixture mounted in the 8" Pipe. Drainage media below fixture will enhance installation.

2. Remove lens ring and lens with gasket, reflector assembly, ballast assembly, and splice cover.

3. Connect flexible conduit to the 3/4" NPT openings in the splice compartment at the bottom of the fixture using the appropriate thread sealing compound. Tighten securely. Ensure that adequate length of conduit be looped or coiled inside lower mounting pipe to allow full range of adjustment.

4. Position fixture and pipe with regard to architectural requirements and to obtain the appropriate accent. If a greater degree of stability is required use concrete to anchor the base of the pipe and its reinforcing rod as shown in diagram. Outer pipe must have minimum burial depth of 18" below grade

5. Make power and ground connections using UL approved connectors. It is recommended that RTV silicone or other re-enterable water sealing compound be used to seal the conduit entry points.

6. Re-install splice cover, ballast assembly, and reflector assembly. Install lamp and make aiming adjustments.

7. Install lens ring and lens.

8. Adjust fixture to desired height by loosening three screws on pipe transition casting, raising or lowering inner fixture assembly, and retightening screws.

9. Keep this sheet for future reference.