

- Landscape Areas**
- Sign Lighting**
- Tree Lighting**
- Building Accent Lighting**



SL-17-CBH

Specifications



Certifications ETL and CETL listed for wet location, direct burial, and concrete pour.

Fixture Housing Cast aluminum with 1/2" NPT adjustable cast aluminum knuckle.

Lens Clear convex tempered glass.

Lamp Holder Porcelain 4KV pulse rated medium base.

Options Cast aluminum junction box with 1/2" NPT opening at top and two 3/4" NPT conduit entrances on bottom.

Composite Ballast Box Compression molded Rhinolite™ composite material, structurally reinforced with glass fibers. Superior resistance to ultraviolet degradation and corrosion resistant in harsh environments. 10-24 stainless steel Allen cap screws and sealed with high temperature silicone gasket. Supplied with two 3/4" NPT conduit entrances and separated from the ballast compartment by the anti-wicking chamber hermetically sealed with high temperature sealing compound. (Supplied with HID fixtures).

Finish BK-BZ-WH-GR-GY-NA baked enamel standard, other colors available.

Safety Caution: Care should be taken when specifying fixtures for use in pedestrian areas to avoid problems that may be caused by high lens temperatures. Consult factory for more information.

Warning Caution: Care should be taken not to install in-ground ballast housings in areas where water can stand for prolonged periods of time. Sufficient drainage must be provided to avoid problems. Consult factory for more information.

PROJECT
FIXTURE TYPE
CATALOG#

 Some luminaires use fluorescent or high intensity discharge (HID) lamps that contain small amounts of mercury. Such lamps are labeled "Contains Mercury" and/or with the symbol "Hg." Lamps that contain mercury must be disposed of in accordance with local requirements. Information regarding lamp recycling and disposal can be found at www.lamprecycle.org

Product Order Guide

Series	Max Watts	Lamp Type	Voltage ¹	Finish ¹	Options
SL-17	150 INC	PAR 38	120	BK Black	JBS Junction Box Square (Incandescent)
	100 MH	PAR 38	208 240 277	BZ Bronze WH White GR Green NA Natural Alum GY Gray CC Custom Color	CBH Composite Ballast Housing WMR Wall Mount Recessed WMS Wall Mount Surface ² JBRTM Tree Mount Junction Box RCBH Remote Composite Ballast Housing RWMS Remote Wall Mount Surface JBR Junction Box Round

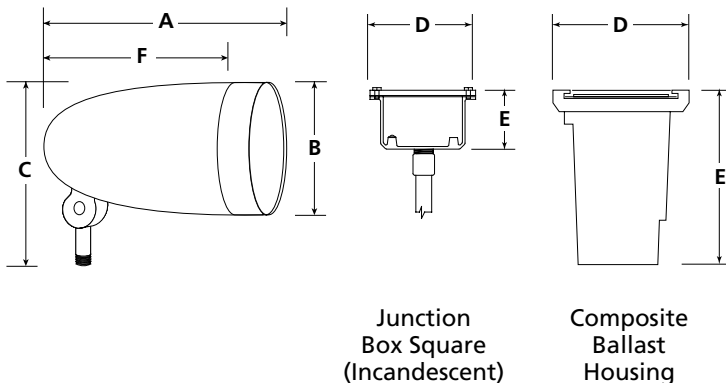
¹ Consult factory for other colors and voltages

² Specify Back Box or Surface Conduit

Example: SL-17-100MH-PAR38-BZ-CBH

Luminaire Dimensions

Luminaire	A		B		C		D		E		F		Weight	
	Inch	mm	Inch	mm	Inch	mm	Inch	mm	Inch	mm	Inch	mm	lbs.	kg
SL-17	9.00	229	5.50	140	7.50	191	n/a	n/a	n/a	n/a	7.25	184	8.0	3.6
CBH	n/a	n/a	n/a	n/a	n/a	n/a	9.25	235	12.00	305	n/a	n/a	17.0	7.7
JB	n/a	n/a	n/a	n/a	n/a	n/a	4.00	102	4.00	102	n/a	n/a	5.0	2.3



Junction Box Square (Incandescent)

Composite Ballast Housing