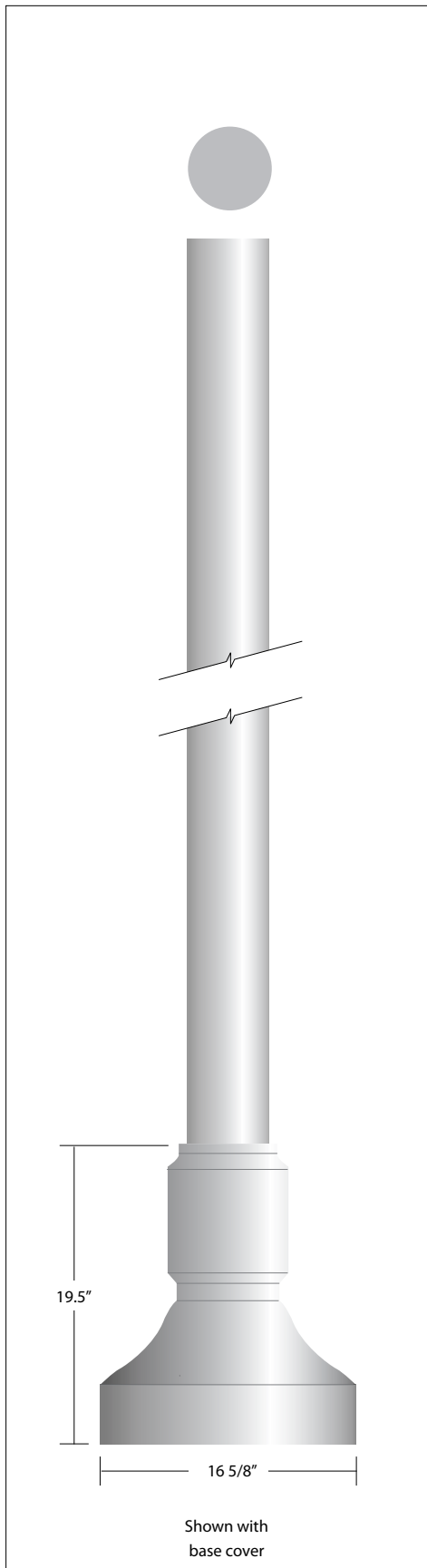


PROJECT
FIXTURE TYPE
CATALOG#



Round Aluminum Straight Poles

Catalog Number	Pole Dimensions	Bolt Circle	Anchor Bolt Size	Max. EPA ¹
RAS4DB3-10	4" O.D. x 10'	7" dia.	(4) 3/4" x 19"	10.05 5.93
RAS4DB3-12	4" O.D. x 12'	7" dia.	(4) 3/4" x 19"	7.96 4.48
RAS4DB3-14	4" O.D. x 14'	7" dia.	(4) 3/4" x 19"	5.06 2.55

Tenon Options

2-3/8" O.D.	T238
3" O.D.	T300

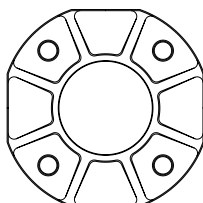
Dimensions

Base Plate	9" dia.
Base Cover (included)	2 Piece Decorative
Hand-Hole Opening	2" x 4" Oval
Shaft	4" Straight
Wall	0.188 Aluminum

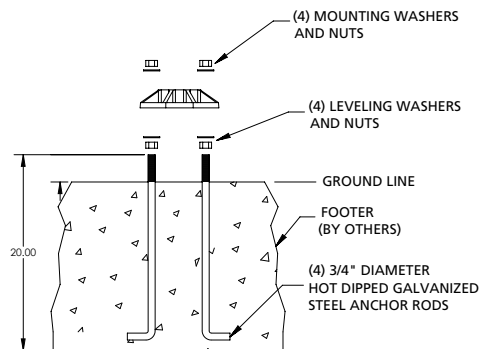
Finishes

BK	Black	Polyurethane enamel finish. Assemblies are shot blasted to create a surface profile which allows for the highest level of paint adhesion, creating superior weatherability and fade resistance.
BZ	Bronze	
WH	White	
VR	Verde	
GR	Green	

Example: RAS4DB3-12-T238-BK



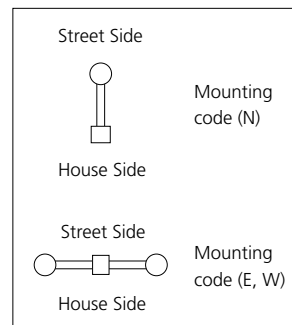
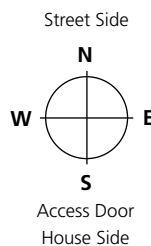
Base Plate



When ordering:

The diagram will help you properly designate the orientation of your fixtures.

The access door side (S) is generally located on the house side positioning of the pole, with street side being the opposite (N). Therefore, if you plan to mount one fixture on the roadway side of a pole, you should use mounting code "N".



¹ EPA values based on destructive break testing. For AASHTO ratings, contact factory.