

<b>PROJECT</b>
<b>FIXTURE TYPE</b>
<b>CATALOG#</b>

## Round Aluminum Straight Poles

Catalog Number	Pole Dimensions	Bolt Circle	Anchor Bolt Size	Max. EPA <sup>1</sup>	
				80	100
RAS4DB2-10	4" O.D. x 10'	8"-13" dia.	(4) 3/4" x 19"	12.53	7.52
RAS4DB2-12	4" O.D. x 12'	8"-13" dia.	(4) 3/4" x 19"	10.08	5.84
RAS4DB2-14	4" O.D. x 14'	8"-13" dia.	(4) 3/4" x 19"	6.53	3.60
RAS4DB2-16	4" O.D. x 16'	8"-13" dia.	(4) 3/4" x 19"	5.21	2.64

## Tenon Options

T238	2-3/8" O.D.	T300	3" O.D.
DM10	Drill for single	DM390	Drill for triple at 90°
DM2180	Drill for double at 180°	DM490	Drill for quad at 90°
DM290	Drill for double at 90°	GFI	Provision only

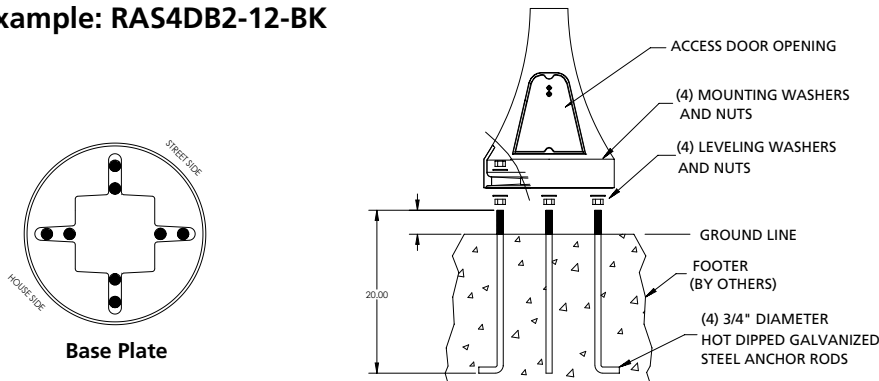
## Dimensions

Base	16" dia. x 22" H
Base Cover (included)	Internal Anchor Rods
Hand-Hole Opening	9" x 10"
Shaft	4" Smooth Straight
Wall	0.125 Aluminum

## Finishes

BK	Black	Polyurethane enamel finish. Assemblies are shot blasted to create a surface profile which allows for the highest level of paint adhesion, creating superior weatherability and fade resistance.
BZ	Bronze	
WH	White	
VR	Verde	
GR	Green	

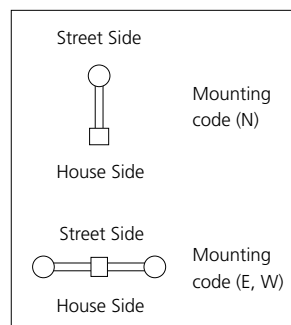
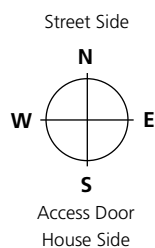
## Example: RAS4DB2-12-BK



## When ordering:

The diagram will help you properly designate the orientation of your fixtures.

The access door side (S) is generally located on the house side positioning of the pole, with street side being the opposite (N). Therefore, if you plan to mount one fixture on the roadway side of a pole, you should use mounting code "N".



<sup>1</sup> EPA values based on destructive break testing. For AASHTO ratings, contact factory.

