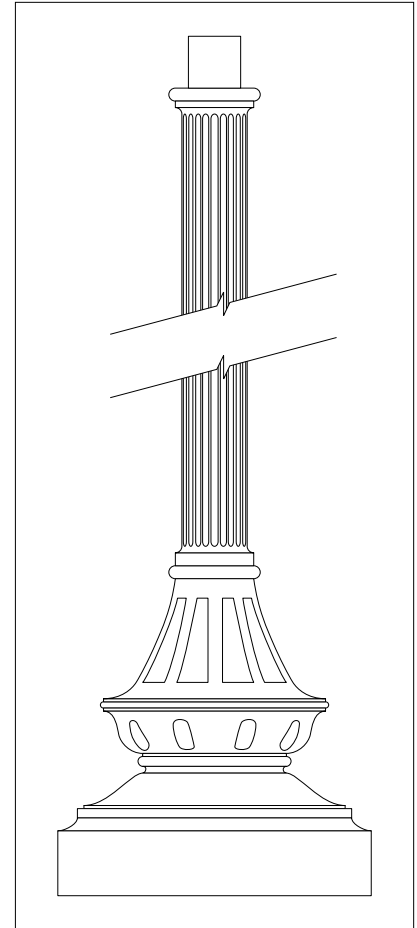


PROJECT
FIXTURE TYPE
CATALOG#

© 2005 - 2008 ALLSCAPE. All rights reserved.  
 ALLSCAPE is a registered trademark of Philips.  
 Due to a program of continuous improvement, ALLSCAPE reserves the right to make any variation in design or construction to the equipment described.

**Specifications**

- Description** The lighting post shall be all aluminum, one piece construction, with a fluted or smooth shaft and a classic, double tapered and fluted base.
- Materials** The base material shall be heavy wall cast aluminum, formed true to the pattern with complete detail. The shaft material shall be fluted, extruded aluminum. A smooth extruded aluminum shaft is also available. All hardware shall be tamper resistant stainless steel. Anchor bolts to be hot dipped galvanized.
- Dimensions** The post shall be X'-XX" in height with a 16-3/4" diameter base. The post shaft shall have a 4" outside diameter with a 3" tenon at the top for luminaire mounting. Fluted shaft available in 0.187" wall thickness. Smooth shaft available in 0.187" or .25" wall thicknesses. The base shall have a height of 18".
- Installation** The post shall be provided with three 3/4" diameter by 36" long L-type anchor bolts to be installed on a 12-3/4" bolt circle. An access door shall be provided in the base for securing anchor bolts and wiring access. A grounding screw shall be provided inside the base opposite the door for easy access.
- Finish** BK-BZ-WH-GR-GY-NA baked enamel standard, other colors available or powder coat optional. Prime painted (PP) posts are also available.



**Dimensions**

Model	Base Dia.	Base Height	Weight
LS-30	17"	18"	38#

**Product Order Guide**

Series	Base Mounting		Shaft	Finish	Option	
	Size	Height				
LS-30	17	14	S Smooth	BK Black	PC	Powder Coat
		12	F Fluted	BZ Bronze	GFIB	Provision for duplex receptacle in base
		10		WH White	GFIP	Provision duplex receptacle in post
	8			GR Green	T2	Tenon 2-3/8"
				NA Natural Alum	T#	Specify Tenon size
				GY Gray		
				CC Custom Color		
		PP Prime Painted				

**Example: LS-30-17-12-F-BK-PC-T2**

