

Building Entrances

Vandal Resistant

Landscape Accent

Walkways

Planted Areas

Parks

Parking Lots



LL-313



LL-314



LL-315

Specifications



Certifications The fixture is UL listed to U.S. and Canadian safety standards for wet locations.

Housing The head assembly is sand cast aluminum roof and die-cast aluminum louvers with easy access for re-lamping. Fixture column is extruded aluminum, 8" diameter with .125" wall thickness. Fixture base is constructed of heavy duty cast aluminum.

Ballast The ballast for HID are high power factor core and coil, multi-tap. Ballasts for 26/32/42W compact fluorescent are electronic, universal voltage 120-277V, 50 or 60Hz.

Optic Assembly Tempered ribbed glass globe with high temperature, molded silicone gasket for positive sealing of the optical chamber. House side shield is supplied with each fixture (optional use).


Mounting Galvanized steel anchor bolts and twist-lock feature provided for easy mounting. Column is secured to base with stainless steel locking screw.

Finish BK-BZ-WH-GR-NA-GY thermoset polyester powder coat which is electrostatically applied and bonded by heat fusion thermosetting. VR finish is hand-rubbed over a black thermoset polyester powdercoat. Limestone and Sandstone finish is bonded to the aluminum substrate.

Safety Caution: Care should be taken when specifying fixtures for use in pedestrian walkways as lens temperatures from certain lamps could cause injury. Consult factory for more information.

PROJECT
FIXTURE TYPE
CATALOG#

LL-313/314/315

 Some luminaires use fluorescent or high intensity discharge (HID) lamps that contain small amounts of mercury. Such lamps are labeled "Contains Mercury" and/or with the symbol "Hg." Lamps that contain mercury must be disposed of in accordance with local requirements. Information regarding lamp recycling and disposal can be found at www.lamprecycle.org

Product Order Guide

Series	Max Watts	Lamp Type	Voltage	Finish ²	Options
LL-313/314/315	100 MH	E-17	120	BK Black	F Single Fusing (120/277)
	100 HPS	E-17	208	BZ Bronze	FF Double Fusing (208/240)
	100 INC	A21	240	WH White	GFI GFI Provision
	42 CF	CF ¹	277	GR Green	HSS House Side Shield
				NA Natural Alum	HDBP ⁴ Heavy Duty Base Plate
			GY Gray	EMG Emergency Battery Backup	
			VR Verde		
			L Limestone ³		
			S Sandstone ³		
			CC Custom		

1 Compact fluorescent lamp base options: 26/32W CF-GX24q-3, 42W CF-GX24q-4.

2 Consult factory for other colors and voltages.

3 Louvers on CraftStone finishes are powdercoated White.

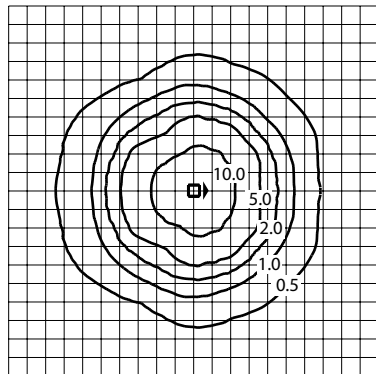
4 Consult factory for HDBP anchor bolt arrangement.

Example: LL-314-42CF-120-BK

Photometric Data

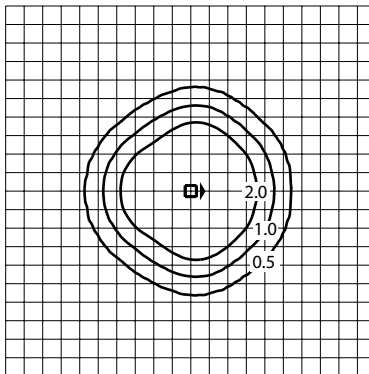
LL-313-100MH

9000 Initial Lumens
38 in. Mounting Height, 2.0 ft. grid
Value in footcandles



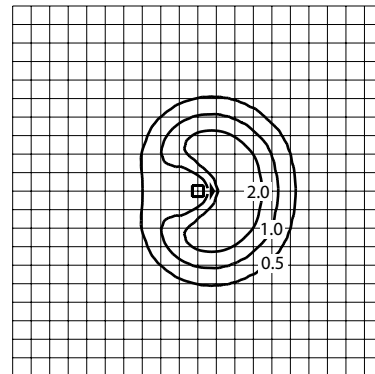
LL-313-42CF

3200 Initial Lumens
38 in. Mounting Height, 2.0 ft. grid
Value in footcandles



LL-313-42CF-HSS

3200 Initial Lumens
38 in. Mounting Height, 2.0 ft. grid
Value in footcandles



Luminaire Dimensions

Luminaire	A		B		Weight	
	Inch	mm	Inch	mm	lbs.	kg
LL-313	8.0	203	41.6	1056	37.0	16.7
LL-314	7.9	201	40.7	1035	37.0	16.7
LL-315	8.0	203	41.8	1062	37.0	16.7
HDBP	14.3	363	4.0	101	45.0	20.4

