

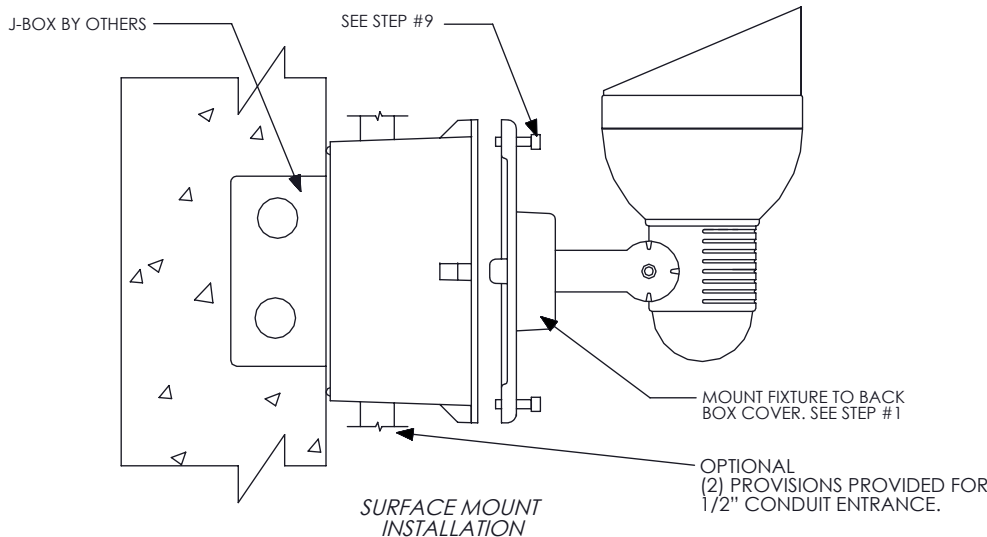
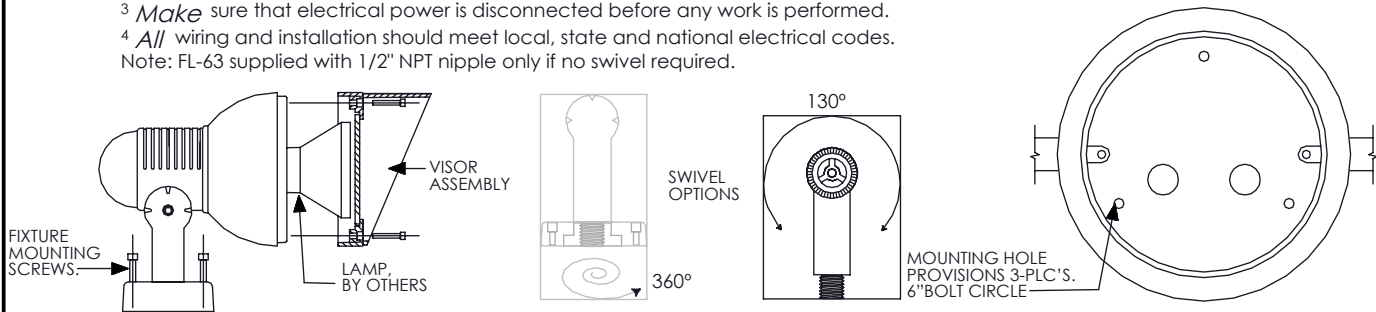
PHILIPS

100 Craftway Dr.
Littlestown, Pennsylvania 17340-0128
Phone: (717) 359-7131

INSTALLATION INSTRUCTIONS: FL-62/63 BELERO SURFACE MOUNT & RECESSED

Safety, Warnings and Suggestions

- Care* should be taken not to position fixtures in locations where bare skin can come into contact with the potentially high temperatures on the lens.
 - Avoid* installing fixtures in locations where water collects and stands for prolonged periods.
 - Make* sure that electrical power is disconnected before any work is performed.
 - All* wiring and installation should meet local, state and national electrical codes.
- Note: FL-63 supplied with 1/2" NPT nipple only if no swivel required.



1. Remove fixture from package and mount to the BACK BOX COVER with (2)-1/4-20 cap head screws provided with the fixture.

2. Remove the visor/lens assembly by unscrewing (4) 8-32 socket head cap screws. Make sure all hardware is carefully saved until needed.

3. Install the correct lamp type and wattage.

4. Re-install the visor/lens assembly and hand tighten the four (4) 8-32 socket head cap screws to 10 in./lbs. max.

5. Position the box on the mounting surface area and secure to surface with three-1/4-20 bolts, bolts by others. (SURFACE MOUNT ONLY).

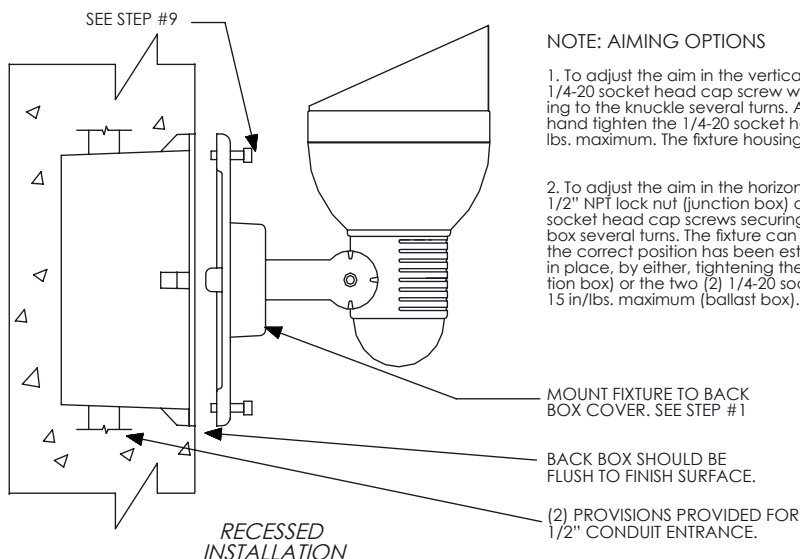
5A. Connect the conduit to the provisions on the back box. See installation details. (RECESSED ONLY)

6. Once the conduit has been connected, secure back box to wall opening or any mounting provisions being used to hold box in place. Make sure that back box is flush to the finish surface level.

7. After all preparations to wall have been finished, carefully clean out any dirt left inside of the back box. (RECESSED ONLY)

8. Carefully make all necessary connections using UL listed connectors.

9. Install the back box cover with the fixture mounted to it with four-(4) 10-24 socket head cap screws provided with the fixture.



NOTE: AIMING OPTIONS

1. To adjust the aim in the vertical plane, unscrew the 1/4-20 socket head cap screw which attaches the housing to the knuckle several turns. Aim the housing. Then hand tighten the 1/4-20 socket head cap screw to 10 in./lbs. maximum. The fixture housing can be adjusted 130°.

2. To adjust the aim in the horizontal plane unscrew 1/2" NPT lock nut (junction box) or the two (2) 1/4-20 socket head cap screws securing the fixture to the ballast box several turns. The fixture can be adjusted 360°. Once the correct position has been established lock the fixture in place, by either, tightening the 1/2" NPT lock nut (junction box) or the two (2) 1/4-20 socket head cap screws to 15 in./lbs. maximum (ballast box).

