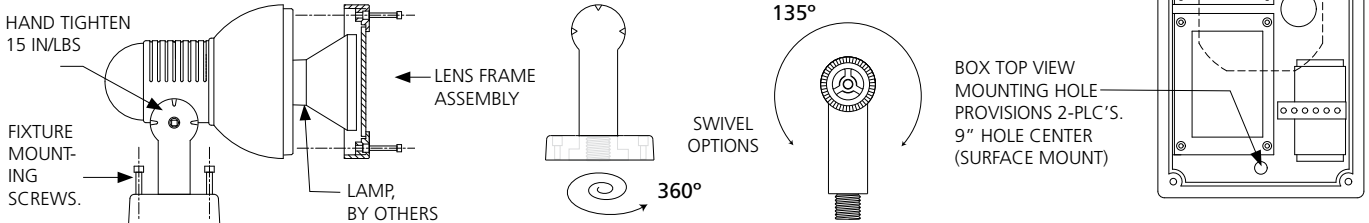


### INSTALLATION SHEET

#### Safety, Warnings and Suggestions

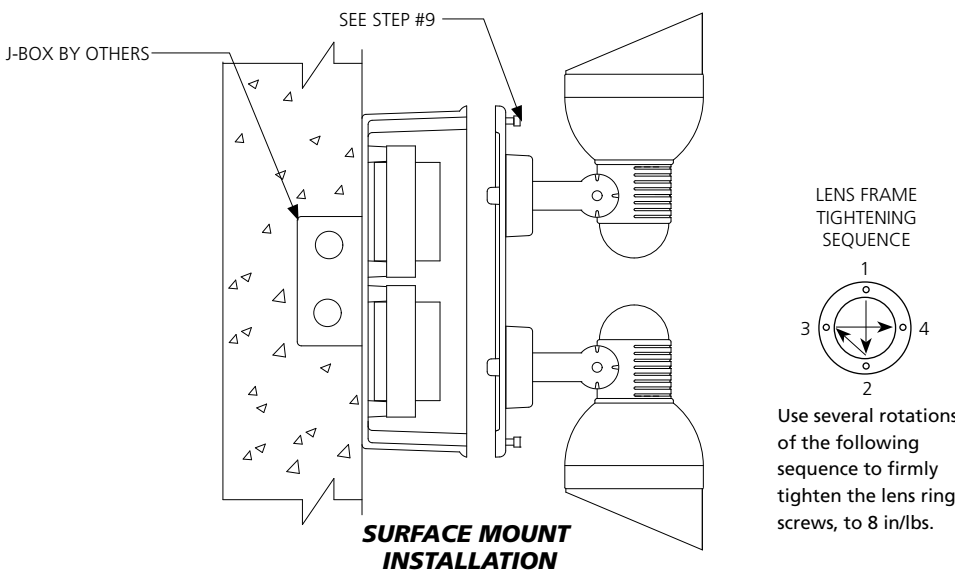
- <sup>1</sup> Care should be taken not to position fixtures in locations where bare skin can come into contact with the potentially high temperatures on the lens.
  - <sup>2</sup> Avoid installing fixtures in locations where water collects and stands for prolonged periods.
  - <sup>3</sup> Make sure that electrical power is disconnected before any work is performed.
  - <sup>4</sup> All wiring and installation should meet local, state and national electrical codes.
- Note: FL-61 supplied with 1/2" NPS nipple only if no swivel required.



P#32A38664

© 2005 - 2009 ALLSCAPE. All rights reserved.  
 ALLSCAPE is a registered trademark of Philips.

Due to a program of continuous improvement, ALLSCAPE reserves the right to make any variation in design or construction to the equipment described.



#### SURFACE MOUNT INSTALLATION

1. Remove fixtures from package and mount to the BACK BOX COVER with (2)-8-32 socket head cap screws provided with the fixture.

2. Remove the lens frame assembly by unscrewing (4) 6-32 socket head cap screws.

3. Install the correct lamp type and wattage.

4. Re-install the lens frame assembly and hand tighten the four (4) 6-32 socket head cap screws to 8 in/lbs using several rotations in sequence.

5. Position the box on the mounting surface area and secure to surface with two-1/4-20 bolts, bolts by others. (SURFACE MOUNT ONLY).

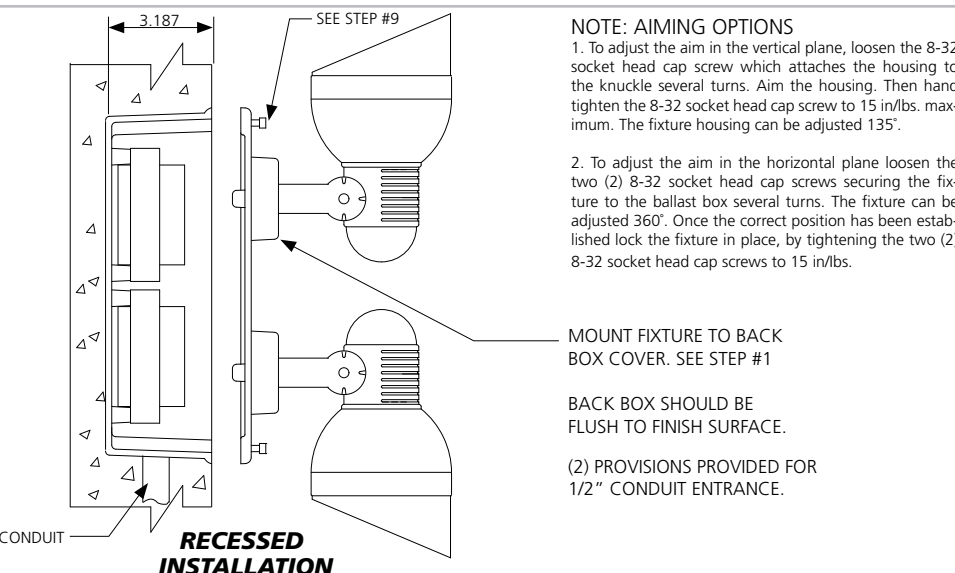
5A. Connect the conduit to the provisions on the back box. See installation details. (RECESSED ONLY)

6. Once the conduit has been connected, Secure back box to wall opening or any mounting provisions being used to hold box in place. Make sure that back box is flush to the finish surface level.

7. After all preparations to wall have been finished, carefully clean out any dirt left inside of the back box. (RECESSED ONLY)

8. Carefully make all necessary connections using UL listed connectors.

9. Install the back box cover with the fixtures mounted to it with four-(4) 8-32 socket head cap screws provided with the fixture.



#### RECESSED INSTALLATION

#### NOTE: AIMING OPTIONS

1. To adjust the aim in the vertical plane, loosen the 8-32 socket head cap screw which attaches the housing to the knuckle several turns. Aim the housing. Then hand tighten the 8-32 socket head cap screw to 15 in/lbs. maximum. The fixture housing can be adjusted 135°.

2. To adjust the aim in the horizontal plane loosen the two (2) 8-32 socket head cap screws securing the fixture to the ballast box several turns. The fixture can be adjusted 360°. Once the correct position has been established lock the fixture in place, by tightening the two (2) 8-32 socket head cap screws to 15 in/lbs.

MOUNT FIXTURE TO BACK BOX COVER. SEE STEP #1

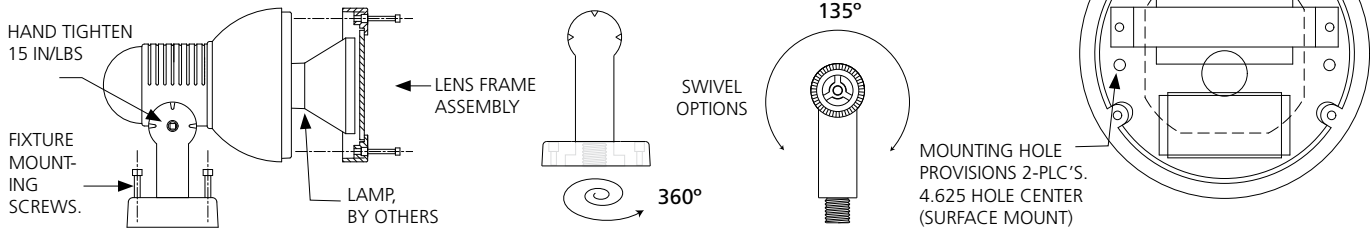
BACK BOX SHOULD BE FLUSH TO FINISH SURFACE.

(2) PROVISIONS PROVIDED FOR 1/2" CONDUIT ENTRANCE.

### INSTALLATION SHEET

#### Safety, Warnings and Suggestions

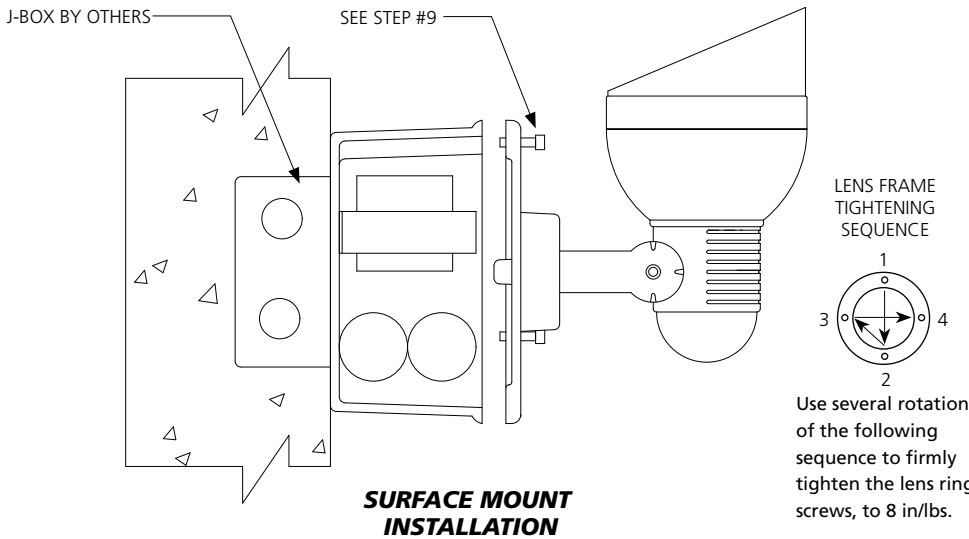
- <sup>1</sup> Care should be taken not to position fixtures in locations where bare skin can come into contact with the potentially high temperatures on the lens.
  - <sup>2</sup> **Avoid** installing fixtures in locations where water collects and stands for prolonged periods.
  - <sup>3</sup> **Make** sure that electrical power is disconnected before any work is performed.
  - <sup>4</sup> **All** wiring and installation should meet local, state and national electrical codes.
- Note: FL-61 supplied with 1/2" NPS nipple only if no swivel required.



P#32A38663

© 2005 - 2009 ALLSCAPE. All rights reserved.  
 ALLSCAPE is a registered trademark of Philips.

Due to a program of continuous improvement, ALLSCAPE reserves the right to make any variation in design or construction to the equipment described.



#### SURFACE MOUNT INSTALLATION

1. Remove fixture from package and mount to the BACK BOX COVER with (2)-8-32 socket head cap screws provided with the fixture.

2. Remove the lens frame assembly by unscrewing (4) 6-32 socket head cap screws.

3. Install the correct lamp type and wattage.

4. Re-install the lens frame assembly and hand tighten the four (4) 6-32 socket head cap screws to 8 in/lbs. using several rotations in sequence.

5. Position the box on the mounting surface area and secure to surface with two-1/4-20 bolts, bolts by others. (SURFACE MOUNT ONLY).

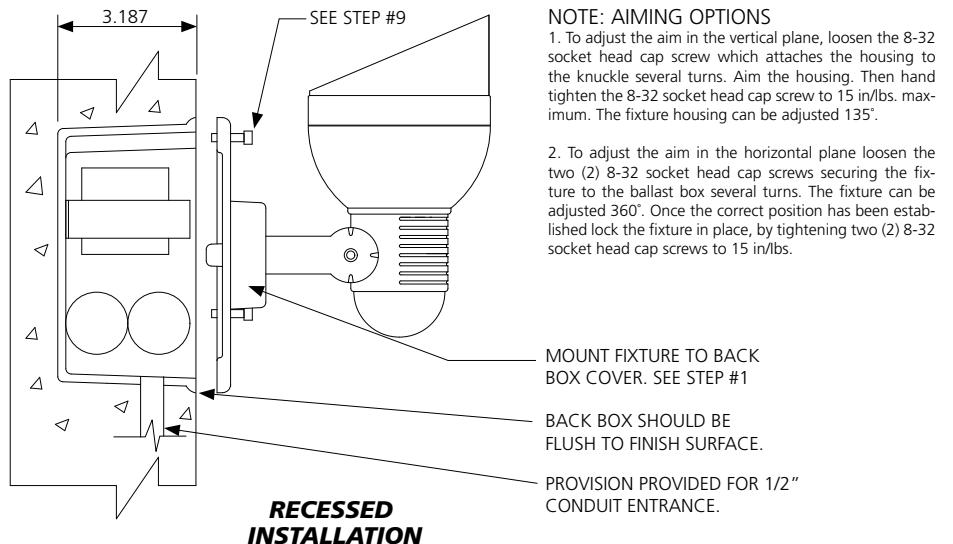
5A. Connect the conduit to the provisions on the back box. See installation details. (RECESSED ONLY)

6. Once the conduit has been connected, Secure back box to wall opening or any mounting provisions being used to hold box in place. Make sure that back box is flush to the finish surface level.

7. After all preparations to wall have been finished, carefully clean out any dirt left inside of the back box. (RECESSED ONLY)

8. Carefully make all necessary connections using UL listed connectors.

9. Install the back box cover with the fixture mounted to it with three-(3) 8-32 socket head cap screws provided with the fixture.



#### RECESSED INSTALLATION

#### NOTE: AIMING OPTIONS

1. To adjust the aim in the vertical plane, loosen the 8-32 socket head cap screw which attaches the housing to the knuckle several turns. Aim the housing. Then hand tighten the 8-32 socket head cap screw to 15 in/lbs. maximum. The fixture housing can be adjusted 135°.
2. To adjust the aim in the horizontal plane loosen the two (2) 8-32 socket head cap screws securing the fixture to the ballast box several turns. The fixture can be adjusted 360°. Once the correct position has been established lock the fixture in place, by tightening two (2) 8-32 socket head cap screws to 15 in/lbs.

MOUNT FIXTURE TO BACK BOX COVER. SEE STEP #1

BACK BOX SHOULD BE FLUSH TO FINISH SURFACE.

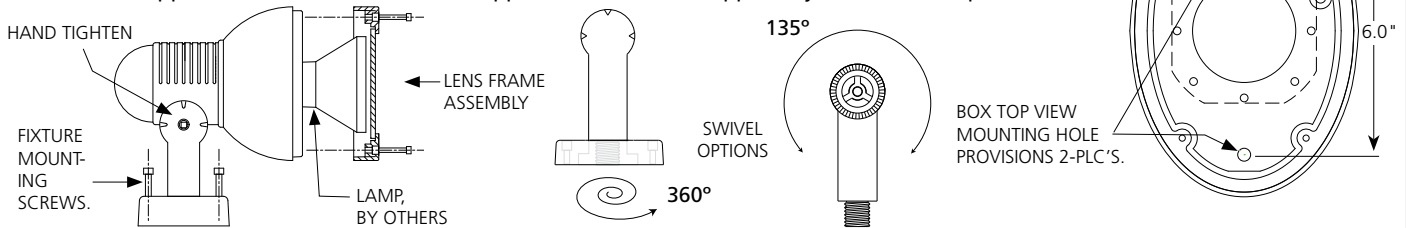
PROVISION PROVIDED FOR 1/2" CONDUIT ENTRANCE.

Phone: 714 668 3660  
 Fax: 714 668 1107  
 Email: sales@allscape.net  
 http://www.allighting.com

## INSTALLATION SHEET

### Safety, Warnings and Suggestions

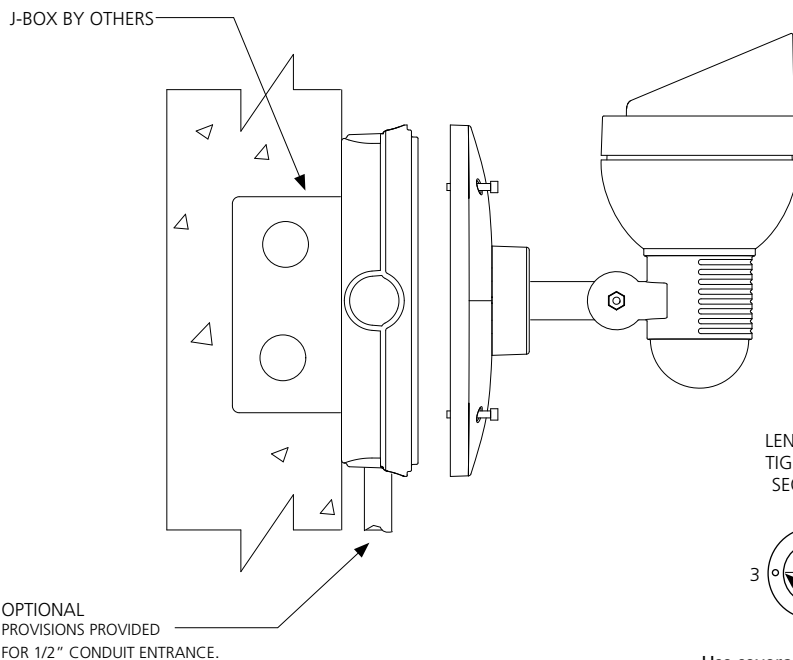
- <sup>1</sup> Care should be taken not to position fixtures in locations where bare skin can come into contact with the potentially high temperatures on the lens.
  - <sup>2</sup> Avoid installing fixtures in locations where water collects and stands for prolonged periods.
  - <sup>3</sup> Make sure that electrical power is disconnected before any work is performed.
  - <sup>4</sup> All wiring and installation should meet local, state and national electrical codes.
- Note: FL-51 supplied with 1/2" NPT and FL-61 supplied with 1/2" NPS nipple only if no swivel required.



P#32A53545

© 2005 - 2009 ALLSCAPE. All rights reserved.  
 ALLSCAPE is a registered trademark of Philips.

Due to a program of continuous improvement, ALLSCAPE reserves the right to make any variation in design or construction to the equipment described.



#### NOTE: AIMING OPTIONS

1. To adjust the aim in the vertical plane, loosen the 8-32 (FL-61) or 1/4-20 (FL-51) socket head cap screw which attaches the housing to the knuckle several turns. Aim the housing. Then hand tighten the 8-32 (FL-61) or 1/4-20 (FL-51) socket head cap screw to 10 or 15 in/lbs respectively. The fixture housing can be adjusted 135°.
2. To adjust the aim in the horizontal plane loosen the two (2) 8-32 (FL-61) or 1/4-20 (FL-51) socket head cap screws securing the fixture to the ballast housing several turns. The fixture can be adjusted 360°. Once the correct position has been established, lock the fixture in place by tightening the two (2) 8-32 (FL-61) or 1/4-20 (FL-51) socket head cap screws to 10 or 15 in/lbs respectively.

1. Remove the lens frame assembly by unscrewing four (4) 6-32 (FL-61) or (4) 8-32 (FL-51) socket head cap screws.

2. Install the correct lamp type and wattage.

3. Re-install the lens frame assembly and hand tighten the four (4) 6-32 (FL-61) or (4) 8-32 (FL-51) socket head cap screws to 8 in/lbs (FL-61) or 10 in/lbs (FL-51).

4. Position the lower half ballast housing on the mounting surface and secure with two (2) 1/4-20 bolts, bolts by others. To ensure a watertight seal, use silicone sealant between the housing and mounting surface.

4A. Connect conduit to the provisions on the lower housing half. (SURFACE CONDUIT CONNECTION ONLY)

5. Carefully make all necessary connections using UL listed connectors.

6. Install the ballast housing cover with the fixture mounted to it with the four (4) 8-32 socket head cap screws provided with the fixture. Caution: ensure wires are not pinched during cover assembly.