

Specification Grade

Sign Accent

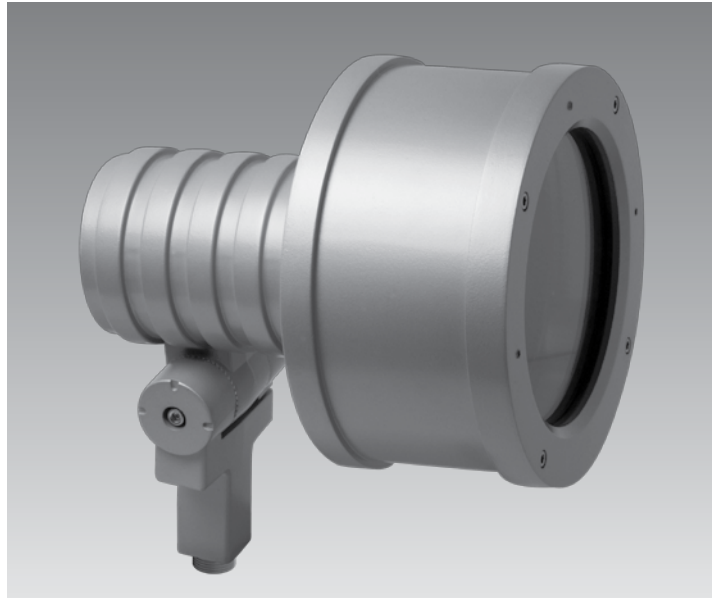
Building Entrances

Doorways

Building Accent

Tree Lighting

Landscape Areas



CIELO

Specifications



Certifications ETL and CETL listed for wet location and meets IP65 standard, dust-tight and water-jet proof.

Fixture Housing/Knuckle The housing and the DK (standard) and CK (optional) knuckles are constructed of die cast aluminum castings with a minimum 1/8" thickness. Both knuckles come with 1/2" NPT threads for mounting to standard junction boxes or with an optional cast swivel for mounting to the available ballast housings. The knuckles provide 142° vertical (52° down, 90° up) and 360° horizontal adjustability.

Lens Clear tempered 3/16" thick, sealed to lens frame with injection molded silicone gasket. Note, 25° or greater LED 3/8" thick clear tempered flat borosilicate glass.

Lens Frame Die cast aluminum minimum thickness of 1/8". Attached to fixture housing with four captive stainless steel 10-24 socket cap screws.

Power Supply The HID lamp or LED power supply shall be integral to the fixture.

Reflectors Spun aluminum highly specular Alzak™ finish for either type SPT spot, FLD flood or MFLD medium flood for T4 or BT5 lamps. The LED reflector options include 10°, 25° and 45° beam spreads.

Lamp Holder Ceramic 5kv pulse rated for T4 and 2.5kv pulse rated for BT-5 lamp sources.

Options Glass Filter (GF), Medium Visor (MV), Snoot (SN), Linear Spread Lens (LSL), Prismatic Spread Lens (PSL), Internal Hex Cell Louver (HL), Classic Knuckle (CK).

Finish BK-BZ-WH-GR-GY-NA thermoset polyester powder coat which is electrostatically applied and bonded by heat fusion thermosetting. CC available upon request.

Safety Caution: Care should be taken when specifying fixtures for use in pedestrian areas to avoid problems that may be caused by high lens and fixture temperatures. Consult factory for more information.

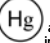
Warning Caution: Care should be taken not to install in-ground and ground mounted fixtures in areas where water can stand for prolonged periods of time. Sufficient drainage must be provided to avoid problems. Consult factory for more information.

Warning Caution: Care should be taken in the placement of landscape floodlights. Avoid areas where landscape maintenance equipment such as lawn mowers may come into direct contact and damage the fixture.

PROJECT
FIXTURE TYPE
CATALOG#

2930 South Fairview Street
 Santa Ana, CA 92704
 Phone: 714 668 3660
 Fax: 714 668 1107
 sales@allscape.net
 http://www.alllighting.com

FL-53 INTRA CIELLO

 Some luminaires use fluorescent or high intensity discharge (HID) lamps that contain small amounts of mercury. Such lamps are labeled "Contains Mercury" and/or with the symbol "Hg." Lamps that contain mercury must be disposed of in accordance with local requirements. Information regarding lamp recycling and disposal can be found at www.lamprecycle.org

Product Order Guide

Series	Max Watts	Lamp Type	Voltage ¹	Optics	Finish ^{2,3}	Options
Metal Halide						
FL-53	20MH	BT5	120	SPT 1H1V (BT5/T4)	BK Black	LSL ⁷ Linear Spread Lens
				FLD 2H2V (BT5/T4)	BZ Bronze	PSL ⁷ Prismatic Spread Lens
	20MH	T4	120	MFLD 4H4V (BT5/T4)	WH White	MV ⁶ Medium Visor
					GR Green	SN ⁶ Snoot
			208		NA Natl Aluminum	GF ⁷ Glass Color Filter
			240		GY Gray	HL ⁷ Internal Hex Cell Louver
			277		CC Custom Color	DK ⁵ Designer Knuckle
						CK Classic Knuckle
						JBS Junction Box Square
						JBR ⁴ Junction Box Round
						JBRTM Tree Mount Junction Box
						STNM Stanchion Mount
						LP Low Post (plastic)
LED						
	Titan 25WW ⁷		120-277	10°,25°,45° Warm White (3050°K)		
	Titan 25TC ⁷		120-277	10°,25°,45° TruColor (3050°K) 1290 Raw Lumens		
	Titan 25CW ⁷		120-277	10°,25°,45° Cool (Daylight) White (4700°K)		

¹ Consult factory for other voltages.

² Consult factory for other finishes.

³ Powder coat is standard.

⁴ Specify Junction Box Mounting or Surface Conduit Connection.

⁵ The Designer Knuckle (DK) is provided as standard.

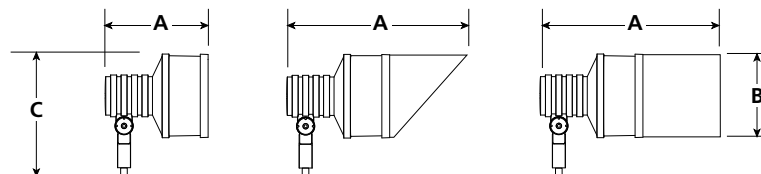
⁶ Care should be taken if these options are used in an up aiming orientation as debris can collect inside and obstruct the light and cause thermal problems. Consult factory for more information.

⁷ LED 10° internal option HL or LSL/PSL/GF. Also LED 25°,35°,45° no internal options allowed.

Example: FL-53-20MH-T4-277-SPT-BK

Luminaire Dimensions

Luminaire	A		B		C		Weight	
	Inch	mm	Inch	mm	Inch	mm	lbs.	kg
FL-53-INTRA	9.75	248	8.00	203	11.62	295	10.00	4.5
FL-53-INTRA-MV	16.88	429	8.00	203	11.62	295	11.00	4.9
FL-53-INTRA-SN	17.88	454	8.00	203	11.62	295	12.00	5.4



FL-53-INTRA

FL-53-INTRA-MV

FL-53-INTRA-SN