

Specification Grade

Sign Accent

Building Entrances

Doorways

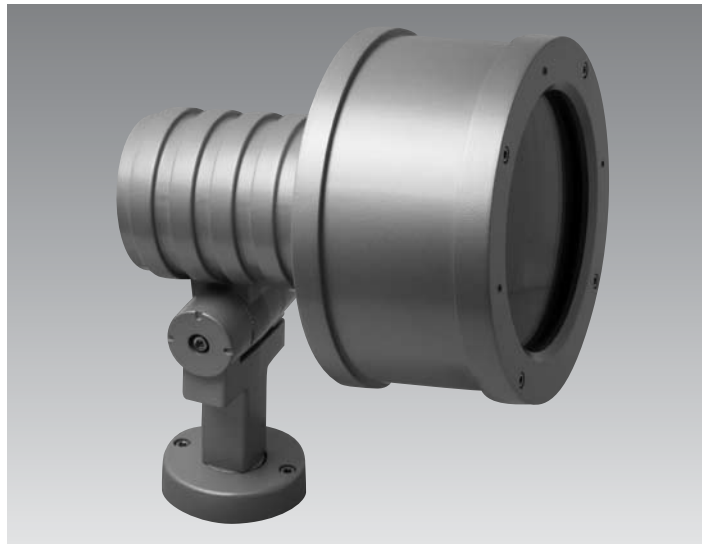
Pedestrian Areas

Walkways

Building Accent

Tree Lighting

Landscape Areas



CIELLO

Specifications



Certifications

ETL and CETL listed for wet location and meets IP65 standard, dust-tight and water-jet proof.

Fixture Housing/Knuckle

The housing and the DK (standard) and CK (optional) knuckles are constructed of die cast aluminum castings with a minimum 1/8" thickness. Both knuckles come with 1/2" NPT threads for mounting to standard junction boxes or with an additional cast swivel for mounting to the available ballast housings. The knuckles provide 142° vertical (52° down, 90° up) and 360° horizontal adjustability.

Lens

Clear tempered 3/16" thick, sealed to lens frame with injection molded silicone gasket.

Lens Frame

Die cast aluminum minimum thickness of 1/8". Attached to fixture housing with four captive stainless steel 10-24 socket cap screws.

Adjustable Reflectors

Spun aluminum highly specular Alzak™ finish for either type SPT spot (2H2V) or FLD flood (3H3V) for E17 or T6 lamps. Both reflectors are provided with an adjustable spot to flood external aiming mechanism.

Lamp Holder

Porcelain 4kv pulse rated medium base for HID and Incandescent lamp sources.

Options

Glass Filter (GF), Medium Visor (MV), Snoot (SN), Linear Spread Lens (LSL), Prismatic Spread Lens (PSL), Internal Hex Cell Louver (HL), Classic Knuckle (CK).

Finish

BK-BZ-WH-GR-GY-NA thermoset polyester powder coat which is electrostatically applied and bonded by heat fusion thermosetting. CC available upon request.

Safety

Caution: Care should be taken when specifying fixtures for use in pedestrian areas to avoid problems that may be caused by high lens and fixture temperatures. Consult factory for more information.

Warning

Caution: Care should be taken not to install in-ground and ground mounted fixtures in areas where water can stand for prolonged periods of time. Sufficient drainage must be provided to avoid problems. Consult factory for more information.

Warning

Caution: Care should be taken in the placement of landscape floodlights. Avoid areas where landscape maintenance equipment such as lawn mowers may come into direct contact and damage the fixture.

PROJECT
FIXTURE TYPE
CATALOG#

 Some luminaires use fluorescent or high intensity discharge (HID) lamps that contain small amounts of mercury. Such lamps are labeled "Contains Mercury" and/or with the symbol "Hg." Lamps that contain mercury must be disposed of in accordance with local requirements. Information regarding lamp recycling and disposal can be found at www.lamprecycle.org

Product Order Guide

Series	Max Watts	Lamp Type	Voltage ¹	Optics	Finish ²	Options
FL-52	26CFT ⁴	CFT	120	SPT 2H2V (E17/T6)	BK Black	LSL Linear Spread Lens
	32CFT ⁴	CFT	208	FLD 3H3V (E17/T6)	BZ Bronze	PSL Prismatic Spread Lens
	42CFT ⁴	CFT	240	FLD 6H6V (CFT)	WH White	MV ⁸ Medium Visor
			277		GR Green	SN ⁸ Snoot
	100MH ⁴	PAR38			NA Natl Aluminum	GF Glass Color Filter
	70MH ⁴	T6			GY Gray	HL Internal Hex Cell Louver
	150MH ⁴	T6			CC Custom Color	DK ⁷ Designer Knuckle
	70MH ^{4,6}	E17				CK Classic Knuckle
	100MH ^{4,6}	E17				JBS ³ Junction Box Square
	150MH ^{4,6}	E17				JBR ^{3,5} Junction Box Round
	150HPS ⁴	E17				JBR ³ Tree Mount Junction Box
						STNM ³ Stanchion Mount
						LP ³ Plastic Post
150INC	PAR38	120			CBH Composite Ballast Housing	
					RCBH Remote CBH	
					WMS ⁵ Wall Mount Surface	
					WMR Wall Mount Recessed	
					RBB NEMA 3 Remote Ballast Box	

¹ Consult factory for other voltages.

² Consult factory for other finishes. Powder coat paint standard.

³ Remote ballast required.

⁴ Requires ballast enclosure.

⁵ Specify Junction Box Mounting or Surface Conduit Connection.

⁶ 150W Upward aiming fixture only.

⁷ The Designer Knuckle (DK) is provided as standard.

⁸ Care should be taken if these options are used in an up aiming orientation as debris can collect inside and obstruct the light and cause thermal problems. Consult factory for more information.

Note: E17 Lamps 150W and below are medium base

CFT = triple biax

Example: FL-52-100MH-T6-277-SPT-BK-CBH

Luminaire Dimensions

Luminaire	A		B		C		D		E		F		G		Weight	
	Inch	mm	Inch	mm	Inch	mm	Inch	mm	Inch	mm	Inch	mm	Inch	mm	lbs.	kg
FL-52	9.75	248	8.00	203	11.62	295									9.00	4.1
FL-52-CBH	9.75	248	8.00	203	11.62	295	12.00	305							38.00	17.2
FL-52-CBH-MV	16.88	429	8.00	203	11.62	295	12.00	305							39.00	17.7
FL-52-CBH-SN	17.88	454	8.00	203	11.62	295	12.00	305							39.00	17.7
WMR									9.00	228	11.00	280	5.00	127	23.00	10.4
WMS									9.00	228	10.50	268	5.00	127	21.00	9.5

