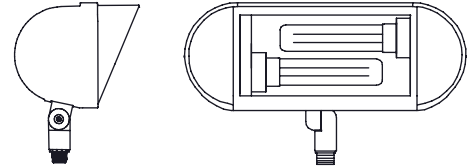
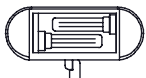


### Safety, Warnings and Suggestions

- <sup>1</sup> *Care* should be taken not to position fixtures in locations where bare skin can come into contact with the potentially high temperatures on the lens.
- <sup>2</sup> *Avoid* installing fixtures in locations where water collects and stands for prolonged periods.
- <sup>3</sup> *Make* sure that electrical power is disconnected before any work is performed.
- <sup>4</sup> *All* gaskets and sealing surfaces must be kept clean during installation.
- <sup>5</sup> *All* wiring and installation should meet local, state and national electrical codes.
- <sup>6</sup> *Install* correct lamp type and wattage.



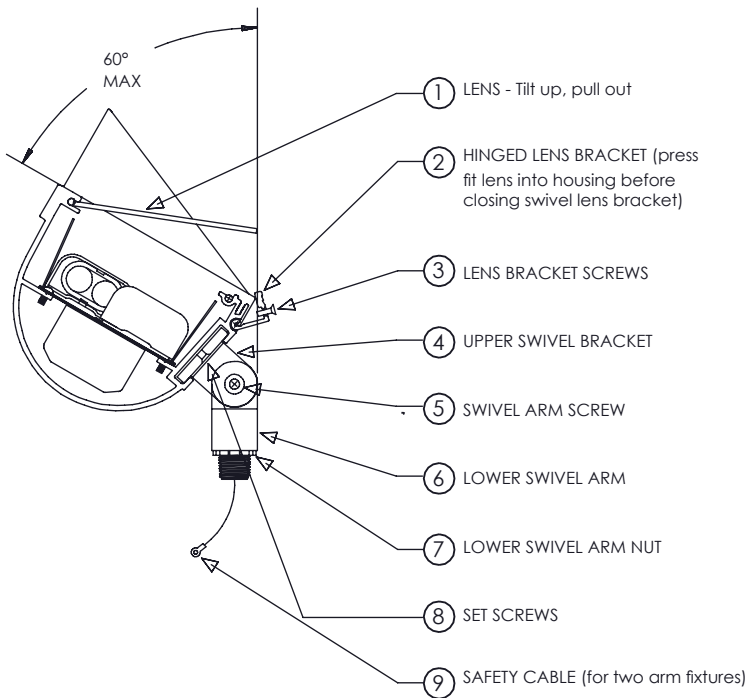
TYPICAL VIEWS (FL-12)



FL-12



FL-18



#### RELAMPING

1. Remove hinged lens bracket screws <sup>3</sup>.
2. Rotate swivel lens bracket <sup>2</sup> down and remove lens <sup>1</sup>.
3. Replace lamp.
4. Center lens and press fit it into housing.
5. Hold lens in place and close hinged lens bracket.
6. Replace lens bracket and screws.

1. Remove lower swivel arm(s) <sup>6</sup> from fixture and fasten to mounting surface/junction box cover.

2. If fixture has two arms, move the left swivel bracket laterally by loosening the set screws <sup>8</sup> until the upper two swivel brackets <sup>4</sup> are inline with the mounted lower swivel arms. Tighten the set screws.

3. Pull the fixture wires through the lower swivel arm and into the wire compartment/junction box.

4. Re-install the lower swivel arm(s) on the upper swivel brackets(s) by tightening the swivel arm screw(s) and the lower swivel arm nut(s) <sup>7</sup>.

5. When mounting any double armed fixture to a surface higher than 1 foot off the ground, the safety cable must be secured to the junction box or mounting surface.

6. Connect fixture wires to supply wires according to National and Local Electrical code specifications.

7. Loosen swivel arm screws to adjust fixture tilt angle.

Caution:  
Do not tilt fixture back over 60° from vertical. Do not mount fixture in downward aiming position.