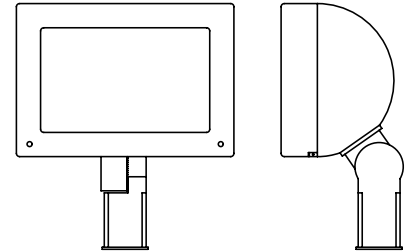


Safety, Warnings and Suggestions

- ¹ **Care** should be taken not to position fixtures in locations where bare skin can come into contact with the potentially high temperatures on the lens.
- ² **Avoid** installing fixtures in locations where water collects and stands for prolonged periods.
- ³ **Make** sure that electrical power is disconnected before any work is performed.
- ⁴ **All** gaskets and sealing surfaces must be kept clean during installation.
- ⁵ **All** wiring and installation should meet local, state and national electrical codes.
- ⁶ **Install** correct lamp type and wattage.



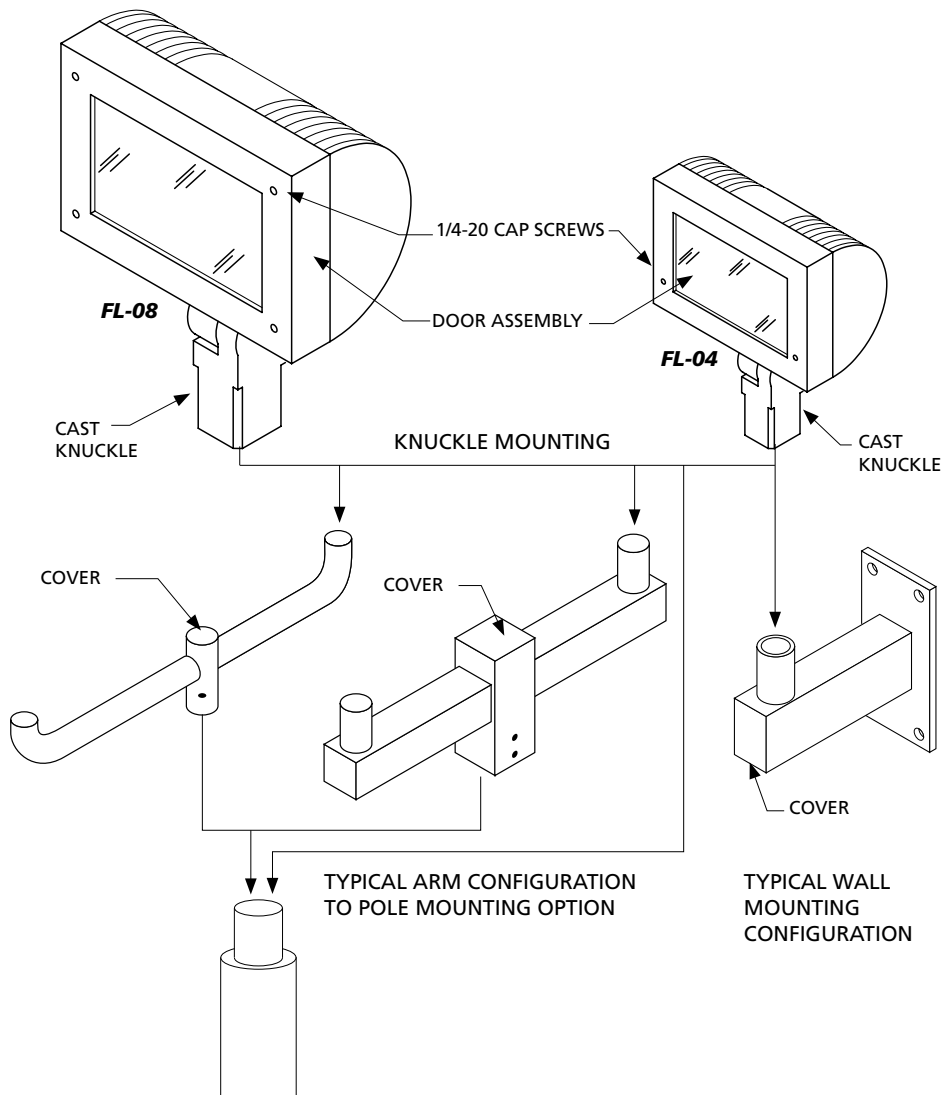
TYPICAL VIEWS (FL-04)

P# 38877

© 2005 - 2008 ALLSCAPE. All rights reserved.
 ALLSCAPE is a registered trademark of Philips.

Due to a program of continuous improvement, ALLSCAPE reserves the right to make any variation in design or construction to the equipment described.

TYPICAL ARM INSTALLATIONS - FL-04 and FL-08 shown



1. Secure the arm assembly or wall bracket as required if they are not already installed.

2. Remove the fixture from the box and install over the 2 3/8" O.D. tenon on the pole, on the arm assembly or on the wall bracket.

3. Make power and ground connection using UL approved connectors.

4. Aiming Horizontally- Aim the fixture to the desired orientation. Secure the unit with 1/4" set screws provided with the knuckle.

5. Aiming Vertically- Loosen the hex bolt and aim the fixture to the desired position. Retighten the hex bolt.

6. (FL-08) Open the door by loosening 4-captive 1/4-20 cap screws.

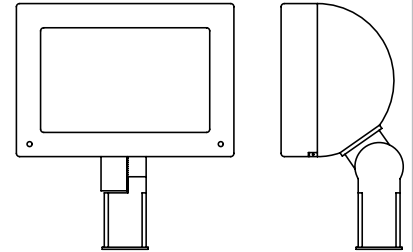
6-A. (FL-04) Open the door by loosening 2-captive 1/4-20 cap screws.

6-B. (FL-02) Open the door by loosening 4-captive 1/4-20 cap screws from the back of fixture.

7. Install the correct lamp and close the door, retighten the cap screws.

Safety, Warnings and Suggestions

- ¹ **Care** should be taken not to position fixtures in locations where bare skin can come into contact with the potentially high temperatures on the lens.
- ² **Avoid** installing fixtures in locations where water collects and stands for prolonged periods.
- ³ **Make** sure that electrical power is disconnected before any work is performed.
- ⁴ **All** gaskets and sealing surfaces must be kept clean during installation.
- ⁵ **All** wiring and installation should meet local, state and national electrical codes.
- ⁶ **Install** correct lamp type and wattage.



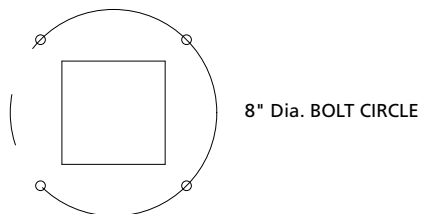
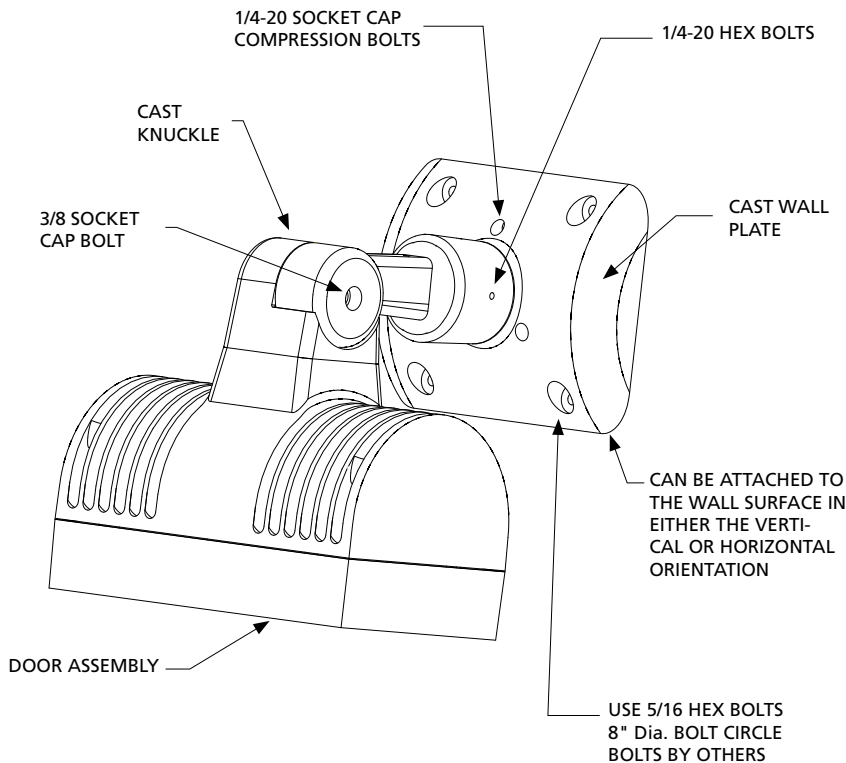
TYPICAL VIEWS (FL-04)

P# 43215

© 2005 - 2008 ALLSCAPE. All rights reserved.
 ALLSCAPE is a registered trademark of Philips.

Due to a program of continuous improvement, ALLSCAPE reserves the right to make any variation in design or construction to the equipment described.

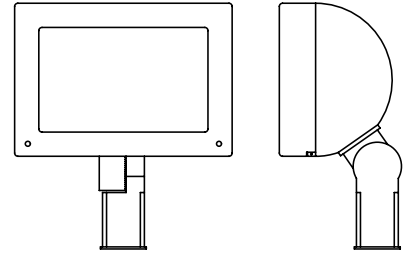
TYPICAL DWB INSTALLATION - FL-02 shown



1. Secure the cast wall plate over junction box and in the required orientation. Anchorage by others.
2. Remove the fixture from the box and make power and ground connection using UL approved connectors at the wall plate/tenon opening.
3. Install fixture over the 2 3/8" O.D. tenon on the cast wall plate. Secure the four 1/4-20 hex bolts to the tenon.
4. Aiming Horizontally- Loosen the three 1/4-20 Socket Cap compression bolts and aim the fixture to the desired orientation. Secure fixture by tightening the compression bolts.
5. Aiming Vertically- Loosen the 3/8 socket cap bolt connecting the knuckle to the fixture and aim the fixture to the desired position. Retighten the bolt.
6. (FL-02) Open the door by loosening 4-captive 1/4-20 cap screws from the back of fixture.
- 6-A. (FL-04) Open the door by loosening 2-captive 1/4-20 cap screws in the door frame.
7. Install the correct lamp and close the door, retighten the cap screws.

Safety, Warnings and Suggestions

- ¹ **Care** should be taken not to position fixtures in locations where bare skin can come into contact with the potentially high temperatures on the lens.
- ² **Avoid** installing fixtures in locations where water collects and stands for prolonged periods.
- ³ **Make** sure that electrical power is disconnected before any work is performed.
- ⁴ **All** gaskets and sealing surfaces must be kept clean during installation.
- ⁵ **All** wiring and installation should meet local, state and national electrical codes.
- ⁶ **Install** correct lamp type and wattage.



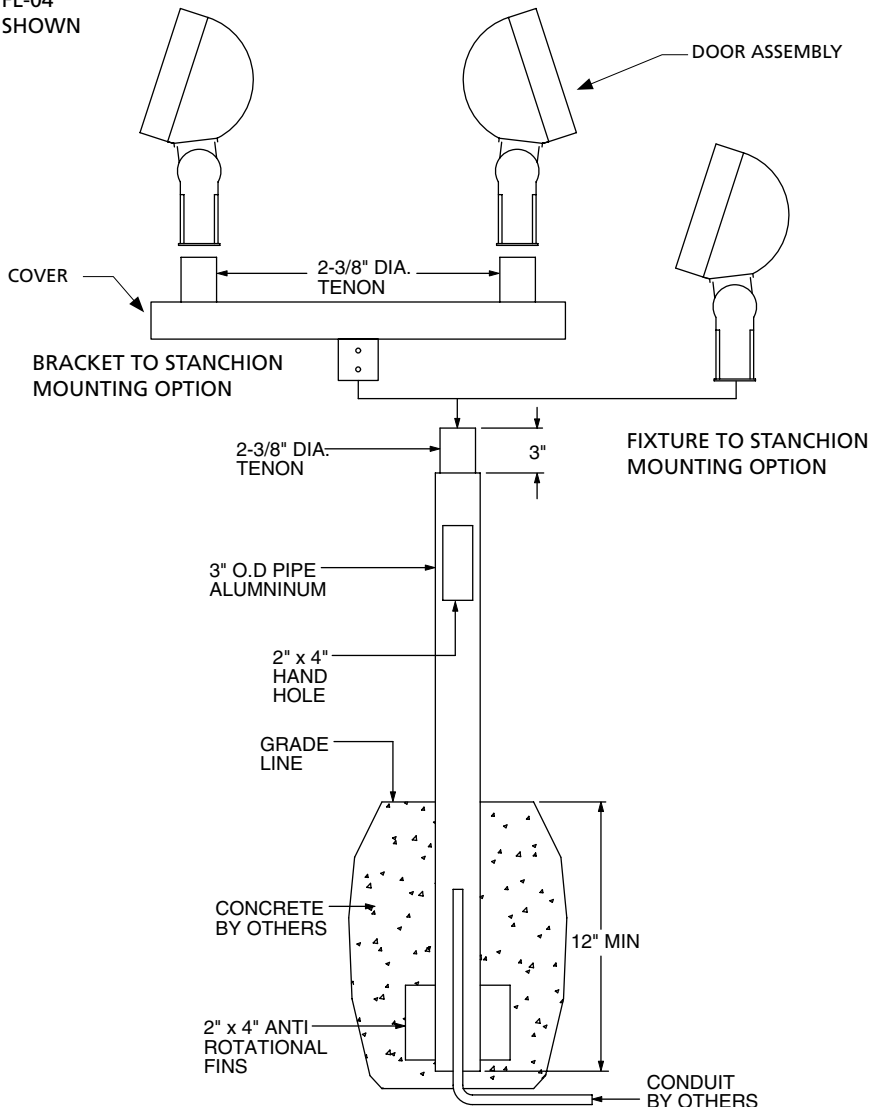
TYPICAL VIEWS (FL-04)

P# 38932

© 2005 - 2008 ALLSCAPE. All rights reserved.
 ALLSCAPE is a registered trademark of Philips.

Due to a program of continuous improvement, ALLSCAPE reserves the right to make any variation in design or construction to the equipment described.

FL-04
 SHOWN



1. Prepare the site with adequate excavation and install the stanchion post as shown.

2. Secure the bracket assembly option to the 2 3/8" O.D. tenon on the stanchion with the set screws provided with the bracket.

3. Remove the fixture from the box and install over the 2 3/8" O.D. tenon on the bracket assembly.

3-A. No bracket option-Remove the fixture from the box and install over the 2 3/8" O.D. tenon on the Stanchion assembly.

4. Make power and ground connection using UL approved connectors.

5. Aiming Horizontally- Aim the fixture to the desired orientation. Secure the unit with the 1/4" set screws provided with the knuckle.

6. Aiming Vertically- Loosen the hex bolt and aim the fixture to the desired position. Retighten the hex bolt.

7. (FL-08) Open the door by loosening 4-captive 1/4-20 cap screws.

7-A. (FL-04) Open the door by loosening 2-captive 1/4-20 cap screws.

7-B. (FL-02) Open the door by loosening 4-captive 1/4-20 cap screws from the back of fixture.

8. Install the correct lamp and close the door and tighten the cap screws.