

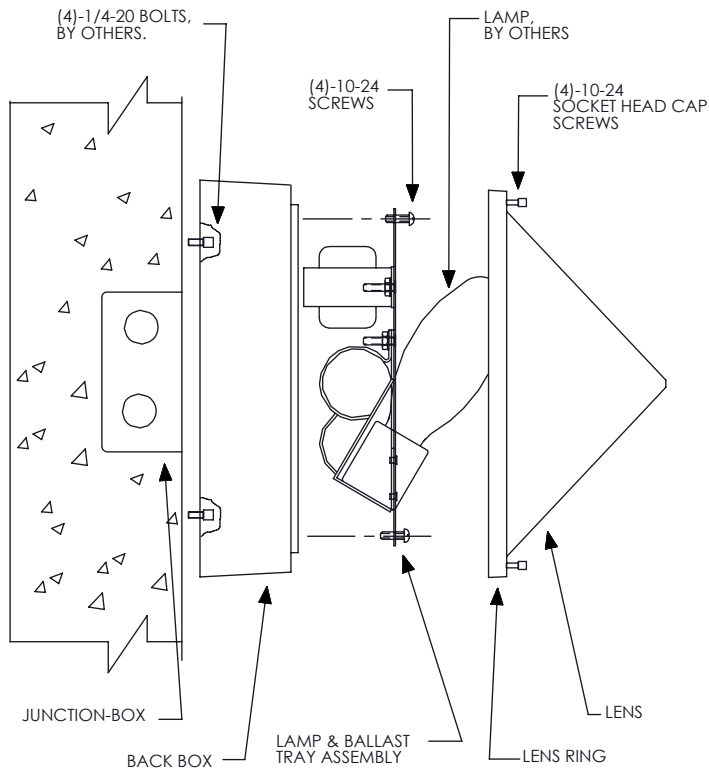
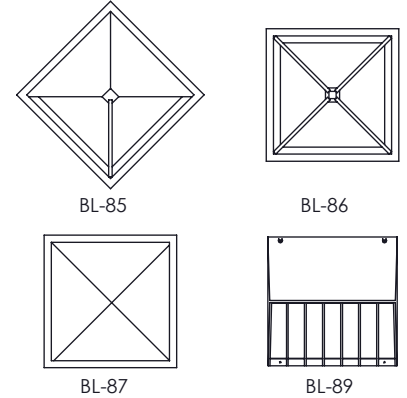
PHILIPS

100 Craftway Dr.
Littlestown, Pennsylvania 17340-0128
Phone: (717) 359-7131

INSTALLATION INSTRUCTIONS: BL-85/86/87/89

Safety, Warnings and Suggestions

- Care* should be taken not to position fixtures in locations where bare skin can come into contact with the potentially high temperatures on the lens.
- Make* sure that electrical power is disconnected before any work is performed.
- All* gaskets and sealing surfaces must be kept clean during installation.
- All* wiring and installation should meet local, state and national electrical codes.
- Install* correct lamp type and wattage.

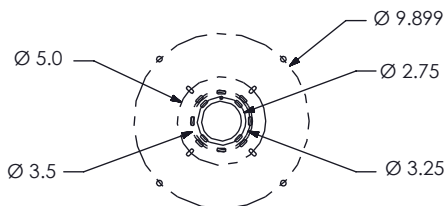


TYPICAL WALL INSTALLATION

1. Remove the fixture from the box. Remove the lens and lens frame by loosening (4)-10-24 socket head cap screws. Remove the ballast tray assembly by loosening (4)-10-24 screws.

2. Secure the back box to the wall with (4)-1/4-20 bolts or to the junction box with 8-32 screws, hardware by others. Make power and ground connection using UL approved connectors at the Junction-box (J-box by others). Reinstall the ballast tray with the (4)-10-24 screws provided (See step 3)

3. (LAMP INSTALLATION)
Install the correct lamp type and wattage. Reinstall the lens and lens frame. Tighten the (4)-10-24 socket head cap screws.



MOUNTING DETAIL

