

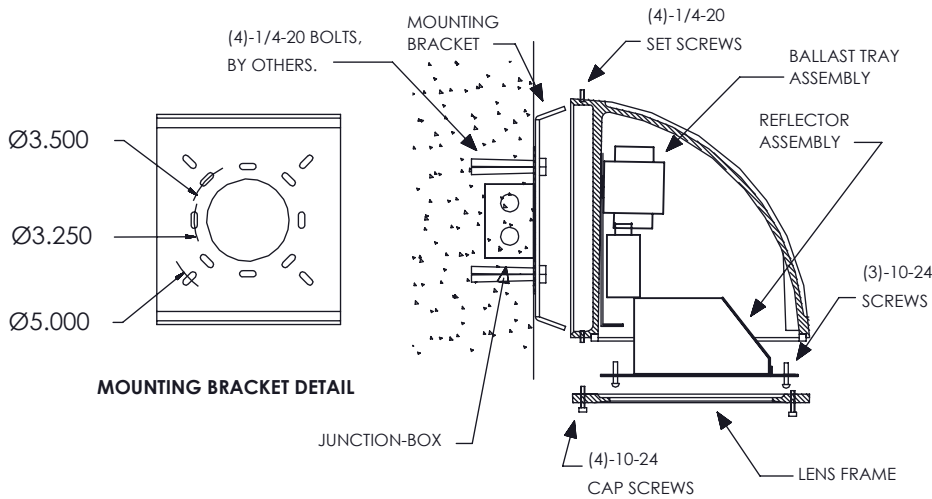
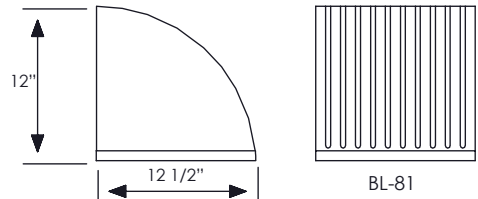
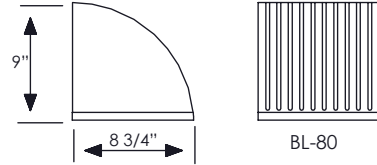
PHILIPS

100 Craftway Dr.
Littlestown, Pennsylvania 17340-0128
Phone: (717) 359-7131

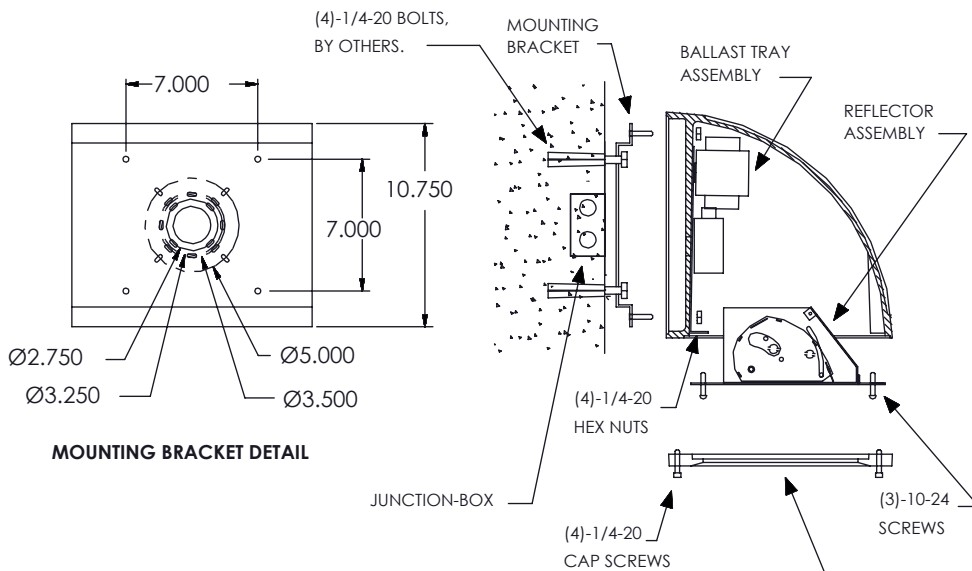
INSTALLATION INSTRUCTIONS: BL-80/81

Safety, Warnings and Suggestions

- Care** should be taken not to position fixtures in locations where bare skin can come into contact with the potentially high temperatures on the lens.
- Make** sure that electrical power is disconnected before any work is performed.
- All** gaskets and sealing surfaces must be kept clean during installation.
- All** wiring and installation should meet local, state and national electrical codes.
- Install** correct lamp type and wattage.



BL-80 INSTALLATION



BL-81 INSTALLATION

1. (BL-80 ONLY)

Remove the fixture from the box and remove the wall plate by loosening (4)-1/4-20 set screws from the top and bottom of the cast housing. Secure the wall plate to the wall with (4)-1/4-20 bolts or to the junction box with 8-32 screws, hardware by others. Make power and ground connection using UL approved connectors at the Junction-box (J-box by others) then, reinstall the unit by mounting it over the wall plate, retightening the top and bottom set screws. See mounting detail.

2. (BL-81 ONLY)

Remove the fixture from the box and remove the lens frame by loosening (4)-1/4-20 cap screws. Remove the reflector assembly by loosening (3)-10-24 screws. Remove the wall plate by loosening (4)-1/4-20 hex nuts from the inside of the cast housing. Secure the wall plate to the wall with (4)-1/4-20 bolts, hardware by others. Make power and ground connection using UL approved connectors at the Junction-box (J-box by others), then reinstall the unit by mounting it to the wall plate and tightening the (4)-hex nuts. See mounting detail. Reinstall the reflector assembly with the (3)-10-24 screws provided.

3. (LAMP INSTALLATION)

Install the correct lamp type and wattage. Reinstall the lens frame. Tighten the (4)-cap screws.

