

- Building Entrances**
- Doorways**
- Walkways**
- Accent and**
- General Lighting**



BL-125



BL-126



BL-127-UD Up/Downlight

Specifications



Certifications The fixture shall be ETL and CETL listed for wet location and have a protection rating of IP65, dust-tight and jet-water proof.

Housing The housing shall be constructed of extruded aluminum and cast aluminum door frames.

Ballast The ballast shall be readily accessible, removable and insulated. The fixture is to be pre-wired and electronically tested before shipment.

Lens The lens shall be clear tempered glass.

Reflector The reflector shall be textured aluminum and silver anodized.

Mounting Detail The fixture shall be pendant, ceiling or wall mounted.

Pendant mounting detail — supported by a 5/8" diameter aluminum pipe (specify length) with hang straight bracket (maximum 30° slope) and canopy for mounting to 4" octagon box. Mounting hardware by others.

Surface mounting detail — attached to ceiling through two 1/4" holes at 180° with 6-5/16" bolt circle. Mounting hardware by others.

Wall mounting detail — wall mounting plate is attached to wall through four 1/2" holes at 90° on a 6"h x 4"w bolt pattern to mount over 4" octagon box. Mounting hardware by others.

Hardware All exposed hardware shall be stainless steel.

Finish BK-BZ-WH-GR-GY-NA thermoset polyester powder coat which is electrostatically applied and bonded by heat fusion thermosetting. CC available upon request.

BL

PROJECT
FIXTURE TYPE
CATALOG#

BL-125/126/127

 Some luminaires use fluorescent or high intensity discharge (HID) lamps that contain small amounts of mercury. Such lamps are labeled "Contains Mercury" and/or with the symbol "Hg." Lamps that contain mercury must be disposed of in accordance with local requirements. Information regarding lamp recycling and disposal can be found at www.lamprecycle.org

Product Order Guide

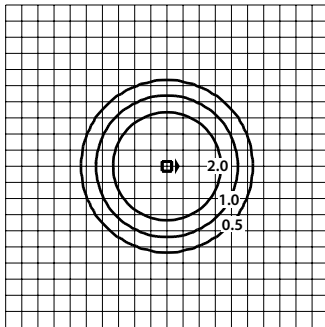
Series	Max Watts	Lamp Type	Voltage ¹	Finish ¹	Options
BL-125/126	18 CFQ	CFQ ²	120	BK Black	P ³ Specify Pendant Length
	70 MH	T6	208	BZ Bronze	SPT Nema 1 (E17 & T6)
	70 MH	PAR38	240	WH White	FLD Nema 3 (E17 & T6)
	70 MH	E17	277	GR Green	RB Remote Ballast
	70 HPS	E17		NA Natural Aluminum	SPT Spot T6/E17
	42 CFT	CFT ²		GY Gray	FLD Flood T6/E17
				CC Custom Color	MFLD Medium Flood T6/E17
BL-127	18 CFQ	CFQ ²			D Downlight
	70MH	PAR38			UD Up/Downlight
	70MH	E17			U Uplight
	70HPS	E17			SPT Nema 1 (E17 & T6)
	42CFT	CFT ²			FLD Nema 3 (E17 & T6)
	70 MH	T6			RB Remote Ballast
	Titan25WW	CUS3 ⁴	120-277	Beam 25° Warm White (3050K)	SPT Spot T6/E17
	Titan25CW	CUS3 ⁴	120-277	Beam 25° Cool (Daylight) White (4700K)	FLD Flood T6/E17
	Titan25FIX	CUS3 ⁴	120-277	Beam 25° Fixed Color Red, Green, Blue, Amber	MFLD Medium Flood T6/E17
	Titan 25TC	CUS3 ⁴	120-277	TruColor Warm White (3050°K) 1290 Raw Lumens	

1 Consult factory for other colors and voltages
3 BL-125 only

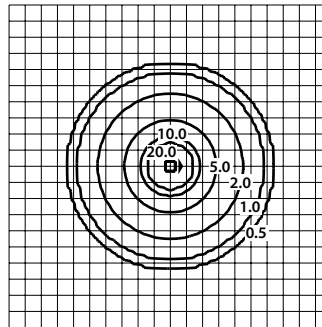
2 CF = single biax, CFQ = double biax, CFT = triple biax
4 The CUS3 is a 25W Titan led from Lamina and work in BL-125, BL-126 and BL-127

Example: BL-125-13CF-120-BK-P30"

Photometric Data



BL-125-26CFT-FLD
1610 Lumens
8.0 ft Mounting Height
value in initial footcandles



BL-126-70MH-E17-FLD
6200 Lumens
8.0 ft Mounting Height
value in initial footcandles

Luminaire Dimensions

Luminaire	A		B		C		D		E		Weight	
	Inch	mm	Inch	mm	Inch	mm	Inch	mm	Inch	mm	lbs.	kg
BL-125	8.00	203	12.40	315	71.01	1805					6.2	2.8
BL-126	8.00	203	12.40	315							10.6	4.8
BL-127-D	8.00	203	12.01	305					11.42	290	11.5	5.2
BL-127-UD	8.00	203					20.50	508	11.50	292	20.0	9.0

