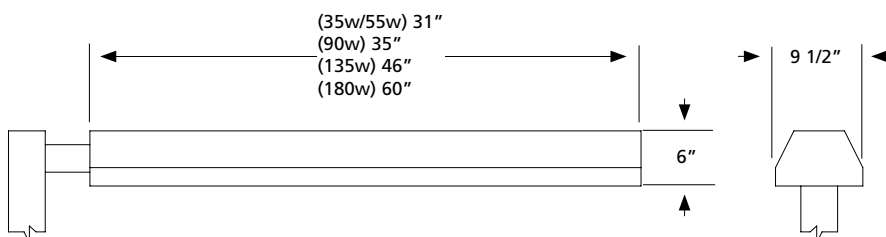
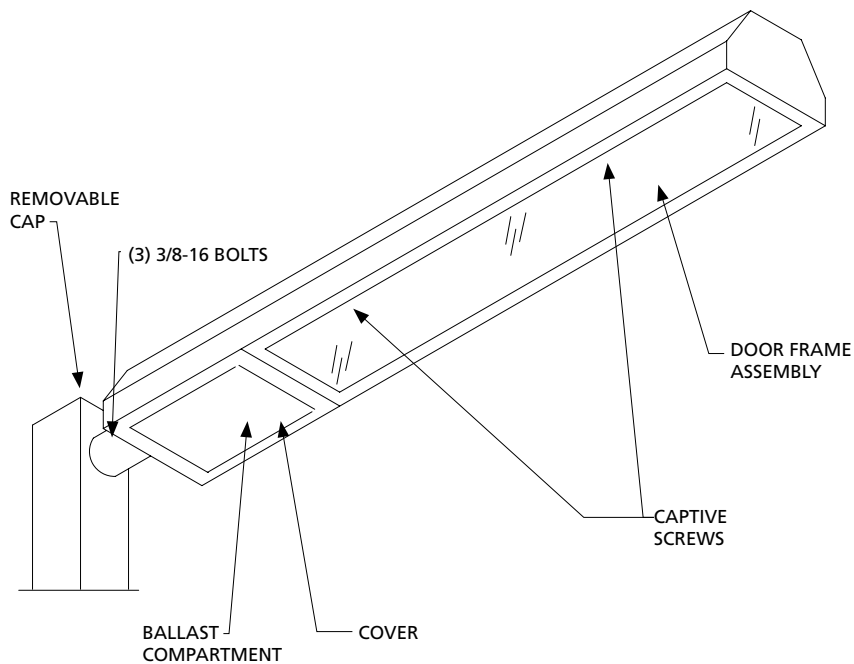


INSTALLATION SHEET

Safety, Warnings and Suggestions

- ¹ **Care** should be taken not to position fixtures in locations where bare skin can come into contact with the potentially high temperatures on the lens.
- ² **Make** sure that electrical power is disconnected before any work is performed.
- ³ **All** gaskets and sealing surfaces must be kept clean during installation.
- ⁴ **All** wiring and installation should meet local, state and national electrical codes.
- ⁵ **Install** correct lamp type and wattage.

MOUNTING INSTALLATION



1. (TENON INSTALLATION)

Remove the fixture from the box and slip over a 2 3/8" O.D. horizontal tenon. The slipfitter is equipped with (3) 3/8-16 clamping bolts.

2. Make power and ground connections using UL approved connectors at the top of the pole section

3. Open the door by loosening the (2) captive screws at the door. Swing the door down. Install the correct lamp, close the door, and retighten the captive screws.