

**Tennis Courts**  
**Auto Dealerships**  
**Other High Performance**  
**Area Lighting**



### Specifications



**Certifications** The fixture shall be ETL and CETL listed for wet location.

**Light Distribution** The AL-03 luminaire shall meet the specified light distribution and footcandle levels with a twin lamp internal optical system and horizontal lamping.

**Assembly** Field installation to bracket or pole shall be accomplished without having to remove or disassemble any fixture components. Fixture shall be ETL listed "suitable for wet locations."

**Housing** The fixtures shall be constructed of heavy gauge aluminum sheet, internally welded seams and silicone sealed.

**Door Frame Assembly** Extruded clear anodized aluminum door frame shall be furnished with fully tempered clear glass lens, thermal and shock resistant. White dacron open cell gasket prevents entry of moisture, dust and insects. All external hardware to be stainless steel.

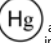
**Ballast** The ballast shall be of the regulated type class H insulated with a power factor exceeding 90%. Ballast shall be readily accessible, removable and insulated. The fixture is to be factory pre-wired, completely assembled and electronically tested prior to shipment. Quick disconnects are standard. Note, the dual 1000W unit requires the removal off additional components to access the ballast assembly.

**Optical Assembly** The optical assembly shall be of all non-ferrous components with a multiple faceted specular finished reflector, and shall be equipped with two lampholders.

**Finish** BK-BZ-WH-GR-GY-NA baked enamel standard, other colors available. Duranodic® anodized finishes shall be applied over brushed aluminum surfaces of a uniform fine grain. (Specify baked enamel or anodized finish color).

**Mounting Details** The mounting hub slip fitter shall have a minimum of six 3/8" screws around hub to permit positive leveling of fixture and arm. B and K Series brackets fit 2 3/8" O.D. tenons, and R Series externally slip fits 2 3/8" - 4" diameter tenons if required. S Series internally slip fits a 3 1/2" IPS Schedule 40 post. Specify exact tenon dimension, and dimensions of round or square poles to ensure compatibility. Luminaire shall be pre-wired with high temperature wire, making disassembly for installation unnecessary.

<b>PROJECT</b>
<b>FIXTURE TYPE</b>
<b>CATALOG#</b>

 Some luminaires use fluorescent or high intensity discharge (HID) lamps that contain small amounts of mercury. Such lamps are labeled "Contains Mercury" and/or with the symbol "Hg." Lamps that contain mercury must be disposed of in accordance with local requirements. Information regarding lamp recycling and disposal can be found at [www.lamprecycle.org](http://www.lamprecycle.org)

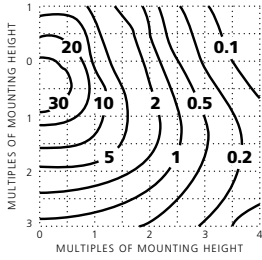
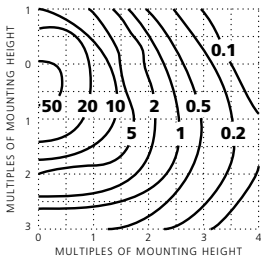
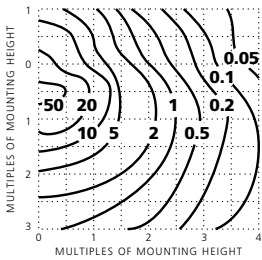
### Product Order Guide

Series	Mounting Type	Number of Fixtures	Max Watts	Lamp Type	Voltage <sup>1</sup>	Reflector Type	Finish <sup>1</sup>	Options
AL-03	B/	1	400 MH	ED-28	120	TC	BZ Bronze	F Fusing
	R/	2	400 MH	ED-37	208	TCP	BK Black	FF Double Fusing
	S/		1000 MH	BT-56	240		GR Green	PCC Photo Control W/Receptacle
	K/		400 HPS	ED-18	277		WH White	HSS House Side Shield (Internal)
			1000 HPS	ED-25	480		GY GRAY	QS Quartz Standby
							CC Custom Color	PSV Pole Side Visor (External)
							BAA Clear Anodized	FF480 Double Fusing 480V
							BZA Bronze Anodized	
							BKA Black Anodized	
							NA Natural Aluminum	

<sup>1</sup> Consult factory for other colors and voltages

### Example: AL-03-B/1-1000MH-BT56-120-TCP-BZ-PCC

### Photometric Data



**AL-03-400HPS-TC**  
 Clear Lamp  
 36,000 Lumens  
 22' Mounting Height  
 ISOLUX Curves—value in initial footcandles

**AL-03-1000HPS-TC**  
 Clear Lamp  
 140,000 Lumens  
 30' Mounting Height  
 ISOLUX Curves—value in initial footcandles

**AL-03-1000MH-TC**  
 Clear Lamp  
 110,000 Lumens  
 30' Mounting Height  
 ISOLUX Curves—value in initial footcandles

### Conversion Factor

Mounting Height		20'	22'	24'	30'	40'
Footcandle Multiplier	400W	1.2	1.0	0.84	0.66	0.54
Footcandle Multiplier	1000W	2.3	1.9	1.6	1.0	0.56

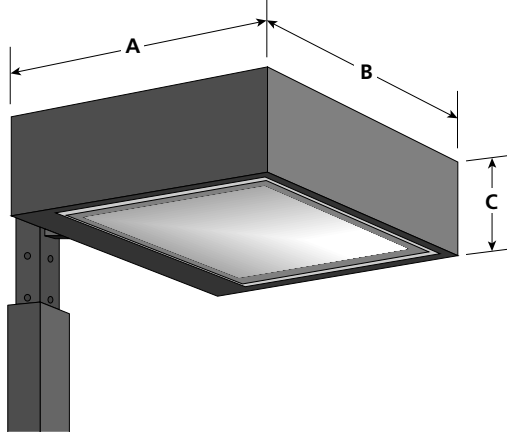
### Luminaire Dimensions

Luminaire	A	B	C	Weight	EPA
AL-03-400W	24"	30"	8"	73#	1.9
AL-03-1000W	29"	36"	10"	95#	3.0

### Mounting Type

- B/ Square Hub Mounting for 2-3/8" Tenon
- R/ Round Hub Mounting for 2-3/8" - 4" Tenon
- S/ Sweep Arm Mounting
- K/ Adjustable Knuckle for 2-3/8" Tenon

For other mounting types see bracket section



AL