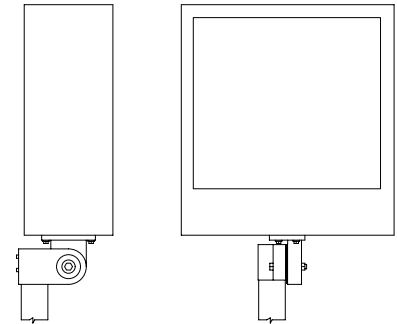


2930 South Fairview Street  
 Santa Ana, CA 92704  
 Phone: 714 668 3660  
 Fax: 714 668 1107  
 Email: sales@allscope.net

## INSTALLATION SHEET

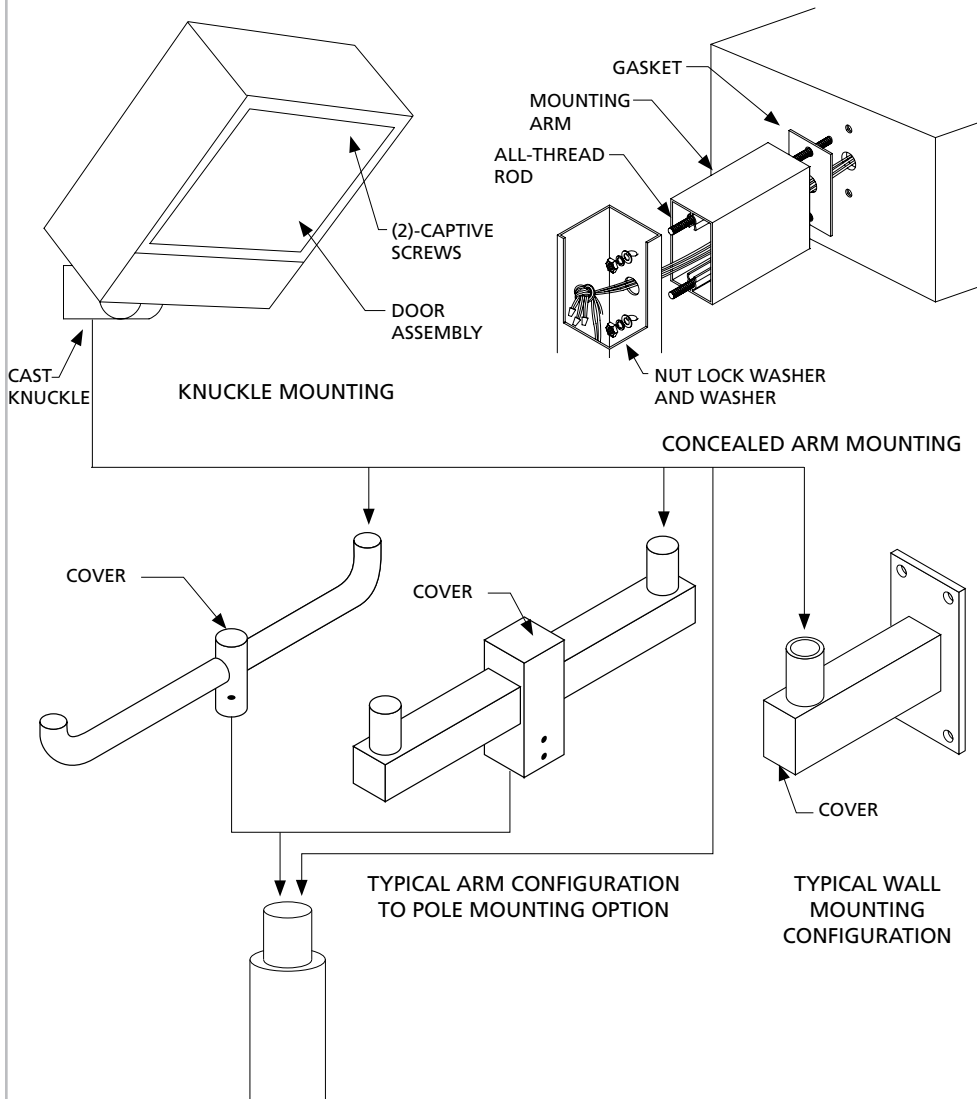
### Safety, Warnings and Suggestions

- <sup>1</sup> **Care** should be taken not to position fixtures in locations where bare skin can come into contact with the potentially high temperatures on the lens.
- <sup>2</sup> **Make** sure that electrical power is disconnected before any work is performed.
- <sup>3</sup> **All** gaskets and sealing surfaces must be kept clean during installation.
- <sup>4</sup> **All** wiring and installation should meet local, state and national electrical codes.
- <sup>5</sup> **Install** correct lamp type and wattage.



TYPICAL KNUCKLE VIEWS

#### TYPICAL ARM INSTALLATIONS



#### 1. (KNUCKLE INSTALLATION)

Remove the fixture from the box and install to the 2 3/8" O.D. tenon on the pole, on the arm assembly or on the wall bracket.

#### 2. (CONCEALED ARM INSTALLATION)

Remove the fixture from the box and remove (2) 3/8" hex bolts from the back of the unit and throw away. Open the arm kit and install the 3/8" all-thread rods with the crimped end toward the unit, as shown on the arm detail. Apply the gasket to the unit, slide the arm over the rods and feed the wires through. Slide the rods into the pole and tighten the nuts inside the pole using a flat washer, lock washer and nut.

3. Make power and ground connections using UL approved connectors at the knuckle splice compartment and/or at the top of the pole section.

4. Open the door by loosening the (2) captive screws at the door. Swing the door down. Install the correct lamp, close the door and retighten the captive screws.

#### 5. (KNUCKLE ADJUSTMENT)

Aiming Horizontally- Aim the fixture to the desired orientation. Secure the unit with the 3/8" set screws provided with the knuckle.

#### 6. (KNUCKLE ADJUSTMENT)

Aiming Vertically- Loosen the hex bolt and aim the fixture to the desired position. Retighten the hex bolt.