

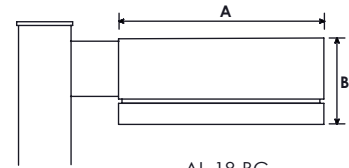
PHILIPS

100 Craftway Dr.
Littlestown, Pennsylvania 17340-0128
Phone: (717) 359-7131

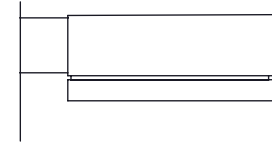
INSTALLATION INSTRUCTIONS: AL - 18 ARM MOUNT

Safety, Warnings and Suggestions

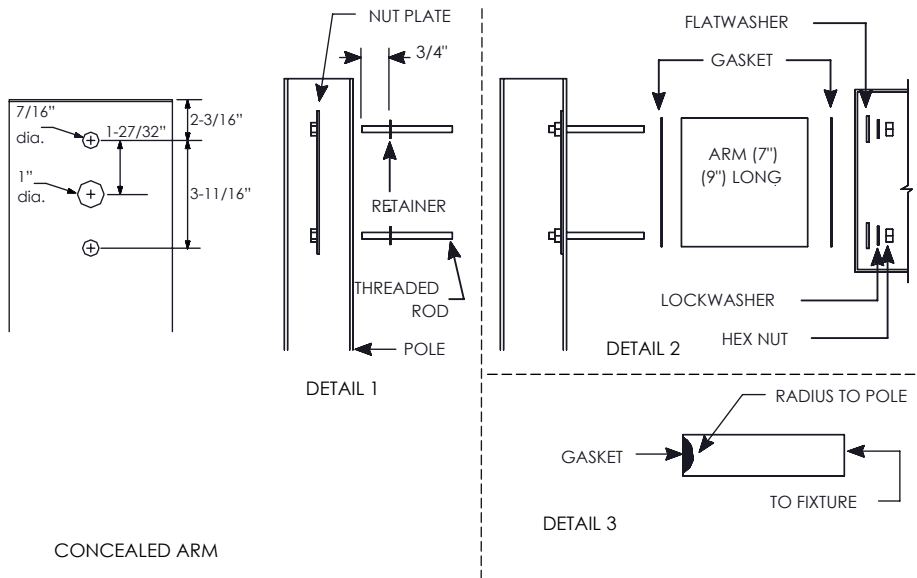
- Care* should be taken not to position fixtures in locations where bare skin can come into contact with the potentially high temperatures on the lens.
- Make* sure that electrical power is disconnected before any work is performed.
- All* gaskets and sealing surfaces must be kept clean during installation.
- All* wiring and installation should meet local, state and national electrical codes.
- Install* correct lamp type and wattage.



AL-18-BC



AL-18-CWB



1. (Concealed Arm) Add retainers to both rods. Position retainer about $\frac{3}{4}$ " from the end of each threaded rod (Detail 1).

2. Insert the end of one rod into the bottom mounting hole of pole. While holding the nut plate in position inside the pole, thread the rod into the nut plate until the retainer is snug against the pole. Thread top rod into nut plate equally.

3. Slide arm over rods (radius against pole Detail 3).

4. Feed the electrical wires of the fixture through the arm and out the top of the pole.

5. Position fixture over rods. Secure fixture to arm assembly with flat washers, lock washers and hex nuts. (See Detail 2).

Important: The rods must be properly pre-tensioned. Torque nuts to 10Ft-lbs. Then turn the nuts an additional $\frac{1}{8}$ turn for the 2-1/2" arm, $\frac{1}{2}$ turn for the 13-1/2" arm and $\frac{3}{4}$ turn for the 16" arm.

6. Connect wires black to black, white to white and green to ground.

7. Install proper type and wattage of lamp.

1. (Cast Wall Bracket) Secure mounting plate to wall (plate must be flat and level).

2. Make sure gaskets are placed on fixture and cast bracket cover.

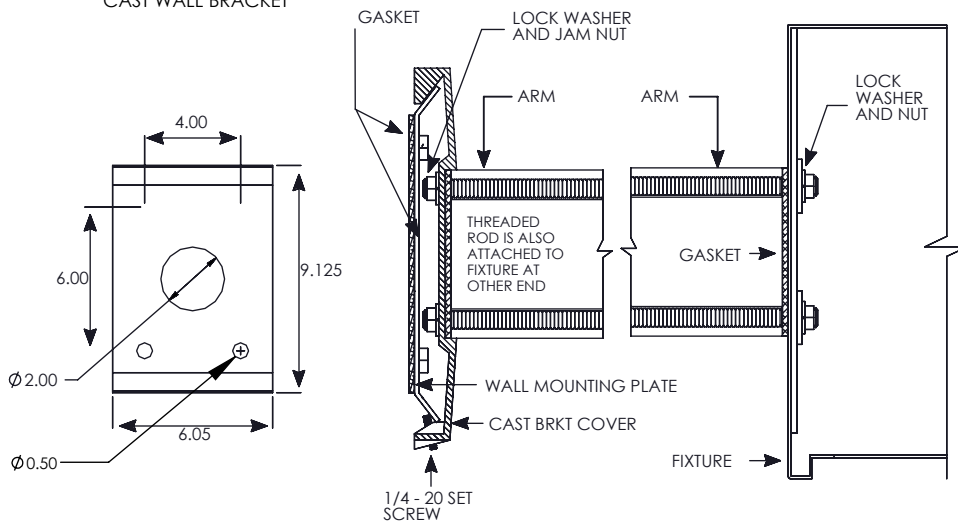
3. Attach threaded rod to cast bracket cover by using lock washers and jam nuts.

4. Slide arm over threaded rods.

5. Feed fixture wires through arm and cast bracket cover. Insert threaded rods into fixture housing and attach using washers, lock washers and nuts. Tighten securely.

6. After making all electrical connections hook cast bracket cover over wall mounting plate and secure bracket cover using $\frac{1}{4}$ -20 set screws.

CAST WALL BRACKET



Safety, Warnings and Suggestions

- Care** should be taken not to position fixtures in locations where bare skin can come into contact with the potentially high temperatures on the lens.
- Make** sure that electrical power is disconnected before any work is performed.
- All** gaskets and sealing surfaces must be kept clean during installation.
- All** wiring and installation should meet local, state and national electrical codes.
- Install** correct lamp type and wattage.



4" junction box and 5-3/4" bolt circle
Figure A



Hang straight bracket and pendant
Figure B



Canopy covering pendant assembly
Figure C

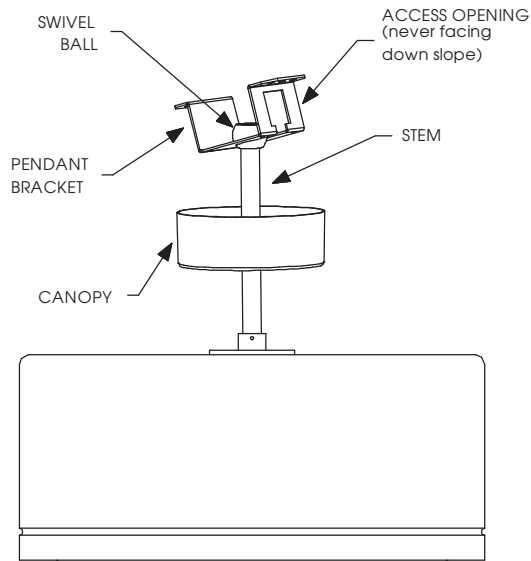
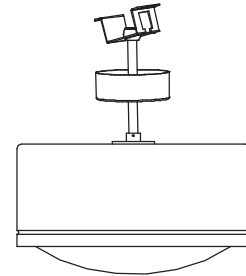


Figure D



AL-18-PM

1. During construction of ceiling, install the 2x4 support studs as shown in Figure A on both sides of junction box.

2. After ceiling surface is in place, place template over junction box, mark the appropriate hole locations, and drill pilot holes for 3/8" lag bolts or hanger bolts. (supplied by others)

3. Place pendant bracket over junction box and install 3/8" lag bolts or hanger bolts. See Figure B. (supplied by others) Note: Bolts must be long enough to securely fasten the pendant bracket to the 2x4 support studs. Warning: If mounting on a sloped ceiling the access opening of the pendant bracket must never be facing down slope (see figure D).

4. Route wires thru canopy and stem, and thread stem into fixture using Red Loctite.

5. Hang assembled stem and fixture on pendant bracket. Caution: Be careful not to pinch wires during hanging. Align groove on swivel ball with tab on pendant bracket.

6. Make wire connections and fasten canopy. See Figure C.