

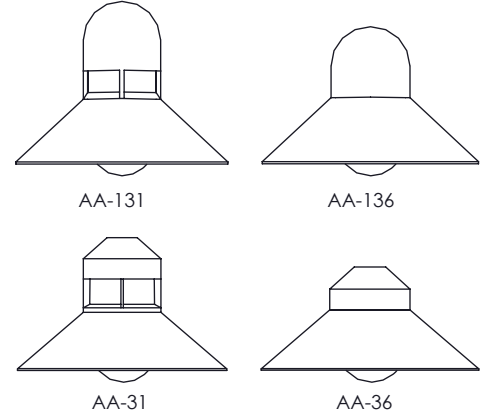
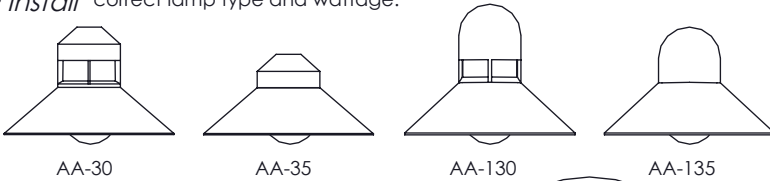
# PHILIPS

100 Craftway Dr.  
Littlestown, Pennsylvania 17340-0128  
Phone: (717) 359-7131

## INSTALLATION INSTRUCTIONS: AA-30/35/31/36/130/135/131/136

### Safety, Warnings and Suggestions

- Care** should be taken not to position fixtures in locations where bare skin can come into contact with the potentially high temperatures on the lens.
- Avoid** installing fixtures in locations where water collects and stands for prolonged periods.
- Make** sure that electrical power is disconnected before any work is performed.
- All** gaskets and sealing surfaces must be kept clean during installation.
- All** wiring and installation should meet local, state and national electrical codes.
- Install** correct lamp type and wattage.

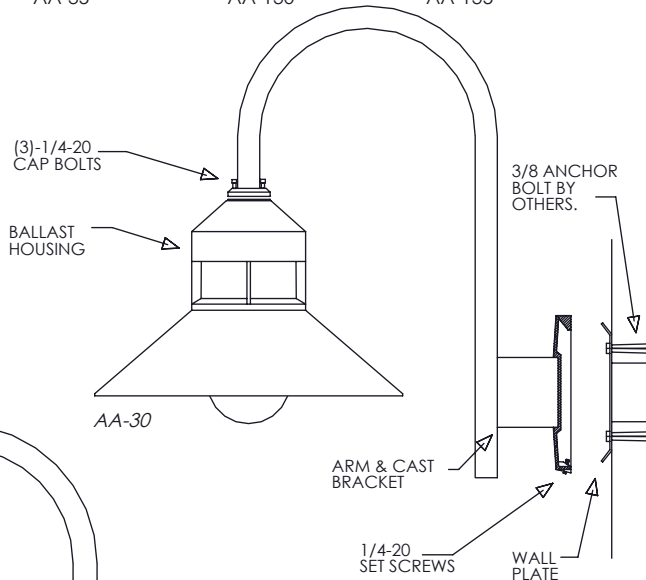


1. (ARM INSTALLATION) Remove the fixture and the arm assembly from the box. Remove (3)-1/4-20 cap screws from the top of the fixture. Make all necessary electrical connections from fixture to arm and push the wire nuts into the housing. Secure the fixture to the arm with the (3) bolts. Now mount the arm assembly to the pole or tenon (See step 3). Orient the arm assembly as desired and tighten all the set screws. Drill and tap the tenon or pole to accept a 3/8-hex bolt. The bolt is use to prevent wind milling.

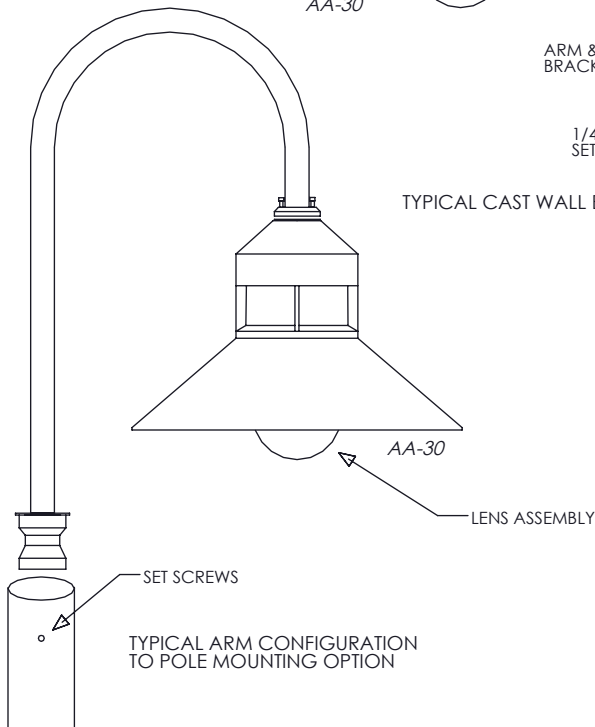
2. (CAST BRACKET INSTALLATION) Remove the fixture and arm assembly from the box. Remove (3)-1/4-20 cap screws from the top of the fixture. Make all necessary electrical connections from fixture to arm and push the wire nuts into the housing. Secure the fixture to the arm with the (3) bolts. Remove the wall plate from the arm assembly by loosening (2)-1/4-20 set screws from the bottom of the cast cover. Secure the wall plate to the wall with (4)-3/8 bolts or anchor bolts (hardware by others). (See step 3) Reinstall the unit by mounting it over the wall plate and retightening the set screws at the bottom of the cast bracket.

3. Make power and ground connections using UL approved connectors at the pole, splice connection or J-box (J-box by others).

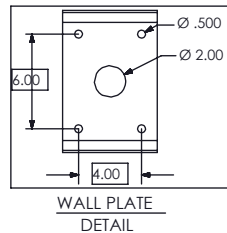
4. (LAMP INSTALLATION) Remove the lens assembly by loosening (4)-10-24 screws. Install the correct lamp, reinstall the lens assembly, and retighten the screws.



TYPICAL CAST WALL BRACKET INSTALLATION



TYPICAL ARM CONFIGURATION TO POLE MOUNTING OPTION



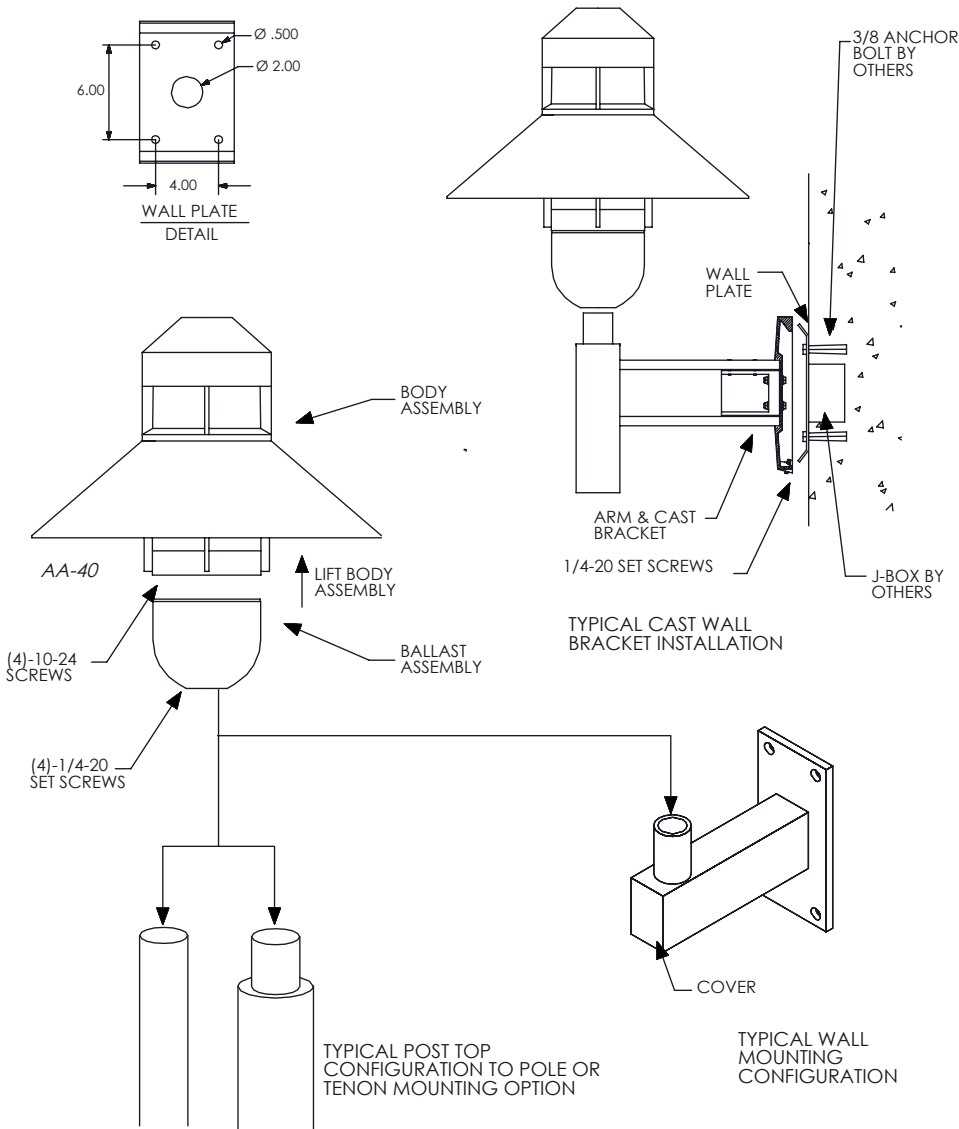
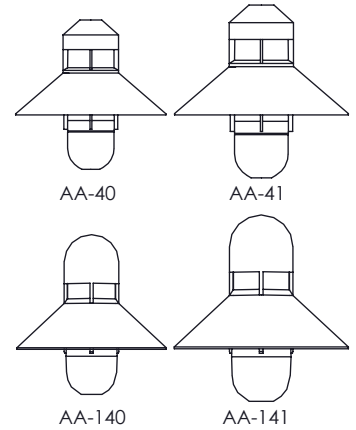
# PHILIPS

100 Craftway Dr.  
Littlestown, Pennsylvania 17340-0128  
Phone: (717) 359-7131

## INSTALLATION INSTRUCTIONS: AA- 40/140, 41/141

### Safety, Warnings and Suggestions

- Care* should be taken not to position fixtures in locations where bare skin can come into contact with the potentially high temperatures on the lens.
- Avoid* installing fixtures in locations where water collects and stands for prolonged periods.
- Make* sure that electrical power is disconnected before any work is performed.
- All* gaskets and sealing surfaces must be kept clean during installation.
- All* wiring and installation should meet local, state and national electrical codes.
- Install* correct lamp type and wattage.



#### 1. (POST TOP INSTALLATION)

Remove the fixture from the box. Loosen (4)-1/4-20 set screws from ballast housing. Mount the fixture to the pole or tenon (See step 3). Orient the fixture as desired and tighten all the set screws.

1-A. Remove the body assembly by removing (4)-10-24 flat Phillips screws. Carefully lift the body assembly and set aside. Install the correct lamp, reinstall the body assembly and tighten the 4-screws.

#### 2. (CAST BRACKET INSTALLATION)

Remove the fixture from the box. Loosen (4)-1/4-20 set screws from the ballast housing. Remove the wall plate from the arm assembly by loosening (2)-1/4-20 set screws from the bottom of the cast cover. Secure the wall plate to the wall with (4)-3/8 bolts or anchor bolts (hardware by others). (See step 3) Reinstall the arm assembly by mounting it over the wall plate and retightening the set screws at the bottom of the cast bracket. Mount the fixture to the tenon (See step 3). Orient the fixture as desired and tighten all the set screws.

2-A. Remove the body assembly by removing (4)-10-24 flat Phillips screws. Carefully lift the body assembly and set aside. Install the correct lamp, reinstall the body assembly and tighten the 4-screws.

3. Make power and ground connections using UL approved connectors at the pole, splice connection or J-box (J-box by others).

